

Product Card

Adapter, Impressivo, 85/100mm, white matt



Adapter

Adapter, Impressivo, 85/100mm, white matt

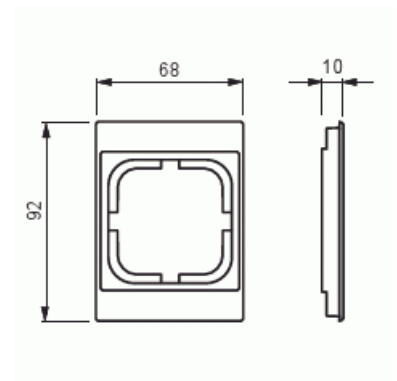
Type: 2519-884

Product ID: 2TKA00004839

GTIN: 6438199009322



With the aid of an adaptor, 1-gang center plated accessories can be mounted in 100mm 2-gang cover frames. The manufacture material is a durable high quality plastic. The surface is glossy and easy to keep clean. Cleaning with a mild, standard household detergent. Be careful when cleaning with a powerful dissolvent.



Technical specification

Packing

Package:	1/20/200/3600
Unit:	PCS

ETIM Data

Label space/information surface:	No
Halogen free:	Yes
Anti-bacterial treatment:	No
Surface protection:	Untreated
Surface finishing:	Matt
Colour:	White
RAL-number (similar):	9016

Product Card

Adapter, Impressivo, 85/100mm, white matt



Transparent:	No
With hinged lid:	No
Degree of protection (IP):	IP21
Type of fastening:	Clamping/screw mounting
Width:	68 mm
Height:	10 mm
Depth:	68 mm