

Product Card

2-gang 1-way switch, 16AX/250V, Impressivo, 2 X-terminals, white matt



Switch

2-gang 1-way switch, 16AX/250V,
Impressivo, 2 X-terminals, white matt

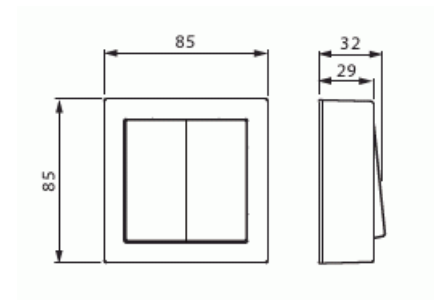
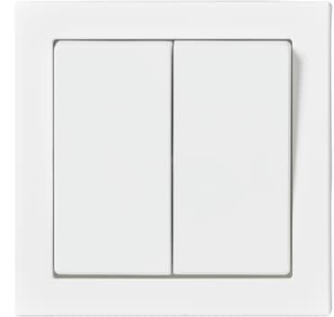
Type: 1065A-884

Product ID: 2TKA00004831

GTIN: 6438199009087



Surface mounting switch with screwless terminals. The terminals are for max 2 solid or rigid wires. Including switch insert, rocker, surface mounting frame and bottom.



Technical specification

Electrical quantities

Nominal voltage:	250 V
Rated current:	16 AX

Classification

Suitable for degree of protection (IP):	IP21
Protection class:	IP21

Packing

Package:	1/10/100/1200
Unit:	PCS

ETIM Data

© ABB 2024

Business ID 0763403-0

www.installationmaterials.com

Customer service

puh. +358 10 222 1999

contact.center@fi.abb.com

ABB Exchange

+358 10 22 11

Product Card

2-gang 1-way switch, 16AX/250V, Impressivo, 2 X-terminals, white matt



Wiring system:	Series switch
Method of operation:	Rocker/button
Assembly arrangement:	Basic element with complete housing
Push button switch:	No
Number of rockers:	2
Mounting method:	Surface mounted (plaster)
Type of fastening:	Screw mounting
With mounting plate:	No
Material:	Plastic
Material quality:	Thermoplastic
Halogen free:	Yes
Anti-bacterial treatment:	No
Surface protection:	Lacquered
Surface finishing:	Matt
Colour:	White
RAL-number (similar):	9016
Label space/information surface:	No
Illumination:	No
Rated current:	16 A
Switching current for fluorescent lamps:	16 AX
Feedback-signal contact:	No
Connection type:	Other
Heating switch:	No
Washing machine switch:	No
Device width:	85 mm
Device height:	35 mm
Device depth:	71 mm
Built-in depth:	18 mm
Min. depth of built-in installation box:	18 mm
Compatible with Apple HomeKit:	No
Compatible with Google Assistant:	No
Compatible with Amazon Alexa:	No
IFTTT support available:	No

Product Card

2-gang 1-way switch, 16AX/250V, Impressivo, 2 X-terminals, white matt



—
© ABB 2024

Business ID 0763403-0

www.installationmaterials.com

—
Customer service

puh. +358 10 222 1999

contact.center@fi.abb.com

—
ABB Exchange

+358 10 22 11