

Cover frame

Cover frame 1-gang(s) White - Saga

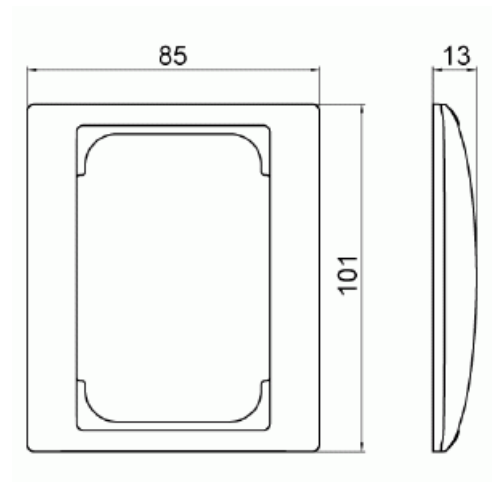
Type: 1721F100-916

Product ID: 2TKA00004820

GTIN: 6438199009278



Flush mounting cover frame, 100 mm, for a single 2-gang socket outlet. Suitable for both horizontal and vertical installation. The surface is glossy and easy to keep clean. Cleaning with a mild, standard household detergent. Bio-circular plastics used in the frame.



Technical specification

Packing

Package:	1/10/100/2800
Unit:	PCS

ETIM Data

Number of units:	1
Mounting direction:	Horizontal and vertical
Number of units horizontal:	1
Number of units vertical:	1
Number of modules horizontal (module system):	1

Product Card

Cover frame 1-gang(s) White - Saga



With mounting grid:	No
Flush-mounted installation:	Yes
Suitable for floor box:	No
Suitable for wall duct:	No
Suitable for built-in installation:	No
Label space/information surface:	No
Material:	Plastic
Material quality:	Thermoplastic
Halogen free:	Yes
Anti-bacterial treatment:	No
Surface protection:	Untreated
Surface finishing:	Glossy
Colour:	White
RAL-number (similar):	9003
Transparent:	No
With hinged lid:	No
Degree of protection (IP):	IP21
Type of fastening:	Clamping/screw mounting
Width:	101 mm
Height:	13 mm
Depth:	85 mm