

Product Card

Socket outlet, Impressivo, Schuko, 2-gang, shuttered, screwless terminals, branching terminals, white matt, IP44



Socket outlet

Socket outlet, Impressivo, Schuko, 2-gang, shuttered, screwless terminals, branching terminals, white matt, IP44



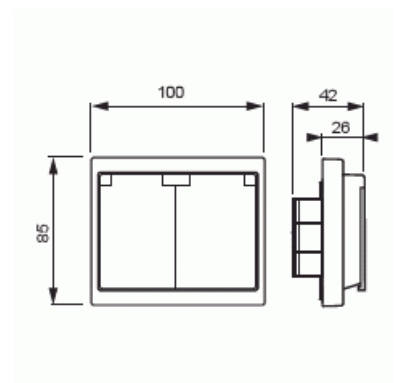
Type: 302EUJW-884

Product ID: 2TKA00004811

GTIN: 6438199009186



There are terminals for each contact of the socket outlet for max 4 rigid wires. No X-terminals. The socket outlet insert without the cover plate is screen-protected.



Technical specification

Electrical quantities

Rated current:	16 A
Rated voltage:	250 V

Classification

Enclosure class:	IP44
------------------	------

Packing

Package:	1/10/100/1200
Unit:	PCS

ETIM Data

© ABB 2024

Business ID 0763403-0

www.installationmaterials.com

Customer service

puh. +358 10 222 1999

contact.center@fi.abb.com

ABB Exchange

+358 10 22 11

Product Card

Socket outlet, Impressivo, Schuko, 2-gang, shuttered, screwless terminals, branching terminals, white matt, IP44



Number of active pins (round):	2
With signal lamp:	No
Number of units:	2
Number of phases:	1
Imprint/indication:	None
Connection type:	Push-in clamp
With hinged lid:	No
With enhanced contact protection:	No
Label space/information surface:	No
Colour:	White
RAL-number (similar):	9016
Metallic colour:	No
Transparent:	No
Lockable:	No
Eject-mechanism:	No
Insulated mounting:	No
With function lighting:	No
With orientation lighting:	No
Over voltage protection:	No
Fault current protection:	No
With miniature fuse:	No
Special power supply:	No special power supply
Mounting method:	Flush mounted (plaster)
Type of fastening:	Mounting with claw and screw
Material:	Plastic
Material quality:	Thermoplastic
Halogen free:	Yes
Surface protection:	Lacquered
Surface finishing:	Matt
Anti-bacterial treatment:	No
With loop through function:	No
With on/off switch:	No
Rotated central insert:	No
Nominal current:	16 A

Product Card

Socket outlet, Impressivo, Schuko, 2-gang, shuttered, screwless terminals, branching terminals, white matt, IP44



Nominal voltage:	250 V
Frequency:	50 Hz
Suitable for degree of protection (IP):	IP44
Device width:	100 mm
Device height:	85 mm
Device depth:	48 mm
Min. depth of built-in installation box:	17 mm
Compatible with Apple HomeKit:	No
Compatible with Google Assistant:	No
IFTTT support available:	No