

Product Card

Height 80 mm, screw c/c distance 67 mm



Junction box

Height 80 mm, screw c/c distance 67 mm

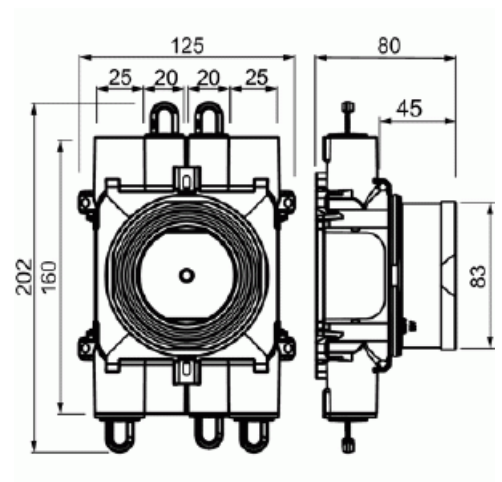
Type: AUB67

Product ID: 2TKA00004671

GTIN: 6438199008868



Junction box AUB67 is especially designed for off site and on site casting applications. Box height is 80 mm. Box has several fixed inlets with locking springs to two directions (4 x 20 mm and 4 x 25 mm). Two 25 mm inlets have removable 20 mm reducer. It is possible to connect four 20 mm conduits simultaneously to one direction. The mounting box includes a rotating installation ring, has large inside space and removable back cover. Made of halogen free material (IEC/61249-2-21) and fulfills the requirements of the glow wire test according to the standard IEC/EN60670: 2005 (650 °C). Maximum number of conductors is 40 pcs.



Technical specification

Thermal conditions

Operating temperature: -25 ... 90 °C

Packing

Package: 36

Unit: PCS

ETIM Data

Mounting method: Concrete building

Shape: Round

© ABB 2024

Business ID 0763403-0

www.installationmaterials.com

Customer service

puh. +358 10 222 1999

contact.center@fi.abb.com

ABB Exchange

+358 10 22 11

Product Card

Height 80 mm, screw c/c distance 67 mm



Construction type:	Cable junction box
Model:	Single
Provided with revolving ring:	Yes
Connectable:	Yes
Equipped with:	None
Length:	200 mm
Width:	125 mm
Depth:	200 mm
Inner depth:	75 mm
For number of electric fittings:	1
Mounting switching equipment:	Screwing
With screws:	Yes
Housing feed-through by break-out opening:	Yes
Housing feed-through by seal membrane:	No
Housing feed-through by nozzle:	Yes
Housing feed-through by step membrane:	No
For tube diameter:	20/25 mm
Pipe locking:	Yes
Pipe locking optional:	No
Inlet from the rear:	No
Number of inlets:	8
Number of included spouts:	8
Material:	Plastic
Halogen free:	Yes
Surface protection:	Untreated
Colour:	White
Degree of protection (IP):	IP3X
Cover model:	Construction protective cover
Transparent cover:	No
Cover attachment:	Snapped on
Sealable:	No
With screening:	No
Air tight:	No
Clamp position fixed:	No

Product Card

Height 80 mm, screw c/c distance 67 mm



Luminaire hook mounting:

No

Special application:

None