

Product Card

Height 82 mm, screw c/c distance 60 mm



Mounting box

Height 82 mm, screw c/c distance 60 mm

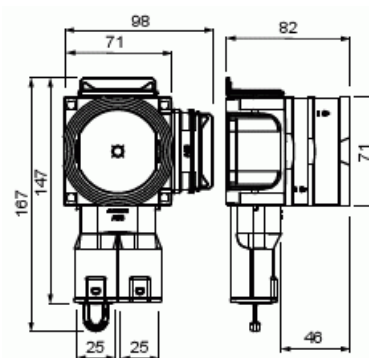
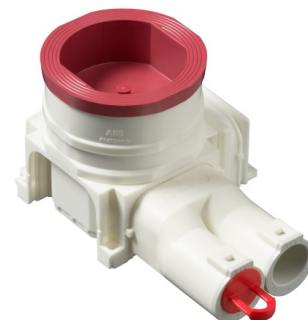
Type: AUB60H

Product ID: 2TKA00004657

GTIN: 6438199008844



Mounting box AUB60H is especially designed for off site and on site casting applications. Box height is 82 mm. Box includes two inlets with locking springs for 20 or 25 mm conduits. Additional inlets can be attached to other sides without need of any tooling. The mounting box includes a rotating, steplessly adjustable extension ring. The extension ring can be tilted 0-4°. Box combinations can be created without additional accessories and box has large inside space. Made of halogen free material (IEC/61249-2-21) and fulfills the requirements of the glow wire test according to the standard IEC/EN60670: 2005 (650 °C). Maximum number of conductors is 30 pcs.



Technical specification

Thermal conditions

Operating temperature: -25 ... 90 °C

Packing

Package: 42

Unit: PCS

ETIM Data

Mounting method: Concrete building

Shape: Round

Product Card

Height 82 mm, screw c/c distance 60 mm



Construction type:	Device connection box (round/square)
Model:	Single
Provided with revolving ring:	Yes
Connectable:	Yes
Diameter:	71 mm
Length:	167 mm
Width:	98 mm
Depth:	167 mm
Inner depth:	77 mm
For number of electric fittings:	1
Mounting switching equipment:	Screwing
With screws:	Yes
Housing feed-through by break-out opening:	Yes
Housing feed-through by seal membrane:	No
Housing feed-through by nozzle:	Yes
Housing feed-through by step membrane:	No
For tube diameter:	20/25 mm
Pipe locking:	Yes
Pipe locking optional:	No
Inlet from the rear:	No
Number of inlets:	8
Number of included spouts:	2
Material:	Plastic
Halogen free:	Yes
Surface protection:	Untreated
Colour:	White
Degree of protection (IP):	IP3X
Cover model:	Construction protective cover
Transparent cover:	No
Cover attachment:	Snapped on
Sealable:	No
With screening:	No
Air tight:	No
Clamp position fixed:	No

Product Card

Height 82 mm, screw c/c distance 60 mm



Luminaire hook mounting:	No
Special application:	None
