

Product Card

Height 112 mm, screw c/c distance 67 mm



Junction box

Height 112 mm, screw c/c distance 67 mm

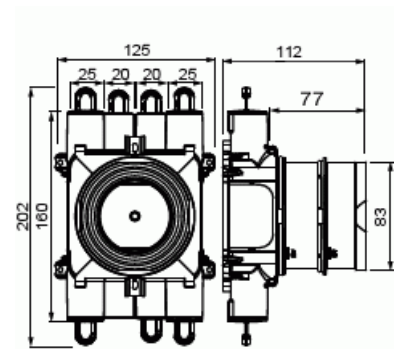
Type: AUB67H

Product ID: 2TKA00004648

GTIN: 6438199008837



Junction box AUB67H is especially designed for off site and on site casting applications. Box height is 112 mm. Box has several fixed inlets with locking springs to two directions (4 x 20 mm and 4 x 25 mm). Two 25 mm inlets have removable 20 mm reducer. It is possible to connect four 20 mm conduits simultaneously to one direction. The mounting box includes a rotating installation ring, has large inside space and removable back cover. Made of halogen free material (IEC/61249-2-21) and fulfills the requirements of the glow wire test according to the standard IEC/EN60670: 2005 (650 °C). Maximum number of conductors is 40 pcs.



Technical specification

Thermal conditions

Operating temperature: -25 ... 90 °C

Packing

Package: 24

Unit: PCS

ETIM Data

Mounting method: Concrete building

Product Card

Height 112 mm, screw c/c distance 67 mm



Shape:	Round
Construction type:	Cable junction box
Model:	Single
Provided with revolving ring:	Yes
Connectable:	Yes
Equipped with:	None
Length:	200 mm
Width:	125 mm
Depth:	200 mm
Inner depth:	107 mm
For number of electric fittings:	1
Mounting switching equipment:	Screwing
With screws:	Yes
Housing feed-through by break-out opening:	Yes
Housing feed-through by seal membrane:	No
Housing feed-through by nozzle:	Yes
Housing feed-through by step membrane:	No
For tube diameter:	20/25 mm
Pipe locking:	Yes
Pipe locking optional:	No
Inlet from the rear:	No
Number of inlets:	8
Number of included spouts:	8
Material:	Plastic
Halogen free:	Yes
Surface protection:	Untreated
Colour:	White
Degree of protection (IP):	IP3X
Cover model:	Construction protective cover
Transparent cover:	No
Cover attachment:	Snapped on
Sealable:	No
With screening:	No
Air tight:	No

Product Card

Height 112 mm, screw c/c distance 67 mm



Clamp position fixed:	No
Luminaire hook mounting:	No
Special application:	None
