

## Product Card

Ø20 mm, 90°, sleeve on the long end



# Conduit bend, HF

Ø20 mm, 90°, sleeve on the long end

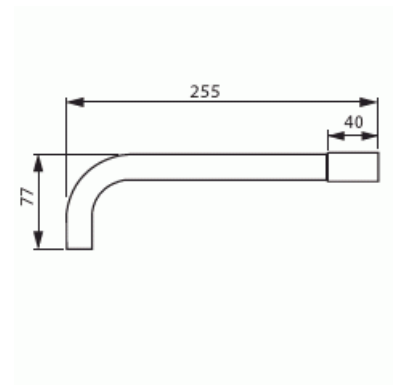
Type: JMKL20.5HF

Product ID: 2TKA00004501

GTIN: 6438199008370



Curve conduit extension, Ø20 mm, 90°, sleeve on the long end, 750N



## Technical specification

### Packing

Package:	20/200
Unit:	PCS

### ETIM Data

Surface polished:	No
Surface brushed:	No
Halogen free:	Yes
With sleeve:	Yes
Two piece:	No
With inspection opening and cover:	No
Flexible:	No

## Product Card

Ø20 mm, 90°, sleeve on the long end



---

—  
© ABB 2024

Business ID 0763403-0

[www.installationmaterials.com](http://www.installationmaterials.com)

---

—  
Customer service

puh. +358 10 222 1999

[contact.center@fi.abb.com](mailto:contact.center@fi.abb.com)

---

—  
ABB Exchange

+358 10 22 11