

Product Card

Conduit extension, Ø20 mm, 90°, sleeve on the short end



Conduit bend, HF

Conduit extension, Ø20 mm, 90°, sleeve on the short end

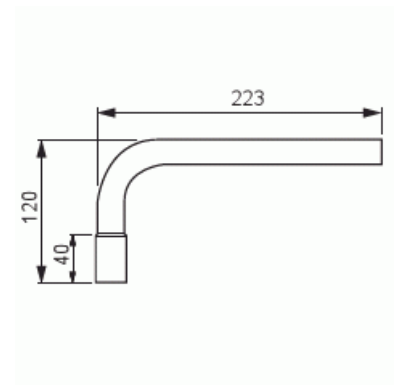
Type: JMKL20.2HF

Product ID: 2TKA00004498

GTIN: 6438199008349



Curve conduit extension, Ø20 mm, 90°, sleeve on the short end, 750N



Technical specification

Packing

| | |
|----------|--------|
| Package: | 10/100 |
| Unit: | PCS |

ETIM Data

| | |
|------------------------------------|-----|
| Surface polished: | No |
| Surface brushed: | No |
| Halogen free: | Yes |
| With sleeve: | Yes |
| Two piece: | No |
| With inspection opening and cover: | No |
| Flexible: | No |

Product Card

Conduit extension, Ø20 mm, 90°, sleeve on the short end



—
© ABB 2024

Business ID 0763403-0

www.installationmaterials.com

—
Customer service

puh. +358 10 222 1999

contact.center@fi.abb.com

—
ABB Exchange

+358 10 22 11