

# Conduit bend, HF

Ø40 mm, 90°

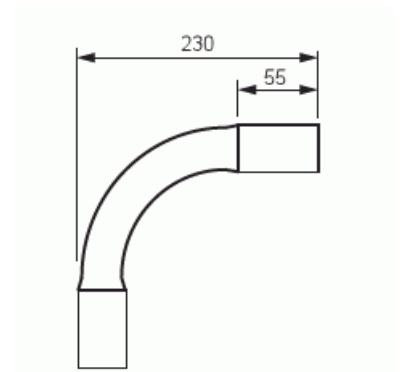
Type: JMKL40HF

Product ID: 2TKA00004495

GTIN: 6438199008318



Halogen free (HF) conduit bend comes with locking glue and is used when the conduit is difficult to bend. The bend is 90°. 750N



## Technical specification

### Packing

Package:	5/50
Unit:	PCS

### ETIM Data

Surface polished:	No
Surface brushed:	No
Halogen free:	Yes
With sleeve:	Yes
Two piece:	No
With inspection opening and cover:	No
Flexible:	No

# Product Card

Ø40 mm, 90°



---

—  
© ABB 2024

Business ID 0763403-0

[www.installationmaterials.com](http://www.installationmaterials.com)

---

—  
Customer service

puh. +358 10 222 1999

[contact.center@fi.abb.com](mailto:contact.center@fi.abb.com)

---

—  
ABB Exchange

+358 10 22 11