

Conduit bend, HF

Ø20 mm, 90°

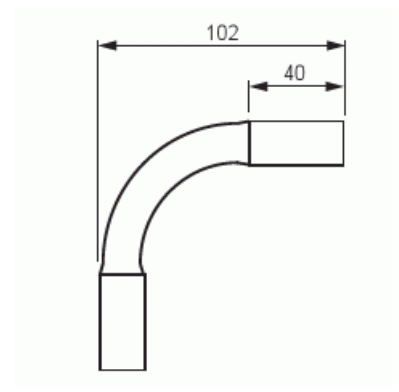
Type: JMKL20HF

Product ID: 2TKA00004492

GTIN: 6438199008288



Halogen free (HF) conduit bend comes with locking glue and is used when the conduit is difficult to bend. The bend is 90°. 750N



Technical specification

Packing

Package:	10/300
Unit:	PCS

ETIM Data

Surface polished:	No
Surface brushed:	No
Halogen free:	Yes
With sleeve:	Yes
Two piece:	No
With inspection opening and cover:	No
Flexible:	No

Product Card

Ø20 mm, 90°



—
© ABB 2024

Business ID 0763403-0

www.installationmaterials.com

—
Customer service

puh. +358 10 222 1999

contact.center@fi.abb.com

—
ABB Exchange

+358 10 22 11