

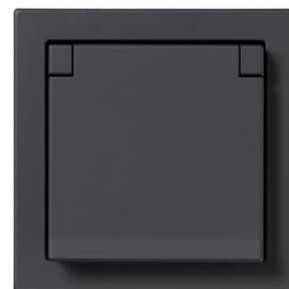
## Product Card

Socket outlet, Impressivo IP44, 1-gang Schuko, shuttered, screwless terminals, black matt



# Socket outlet

Socket outlet, Impressivo IP44, 1-gang Schuko, shuttered, screwless terminals, black matt



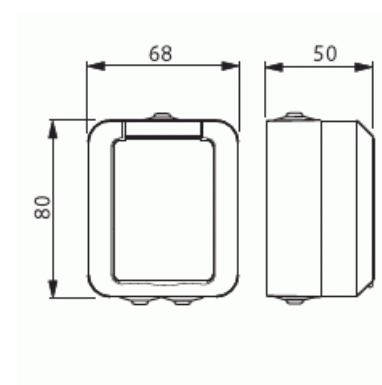
**Type:** 20ESW-885

**Product ID:** 2TKA00004469

**GTIN:** 6438199008677



There are terminals for each contact of the socket outlet. The terminals are for max 2 rigid wires.



## Technical specification

### Electrical quantities

Nominal current:	16 A
Nominal voltage:	250 V

### Classification

Suitable for degree of protection (IP):	IP44
---	------

### Packing

Package:	1/10/100/1200
Unit:	PCS

### ETIM Data

© ABB 2024

Business ID 0763403-0

[www.installationmaterials.com](http://www.installationmaterials.com)

**Customer service**

puh. +358 10 222 1999

[contact.center@fi.abb.com](mailto:contact.center@fi.abb.com)

**ABB Exchange**

+358 10 22 11

# Product Card

Socket outlet, Impressivo IP44, 1-gang Schuko, shuttered, screwless terminals, black matt



Number of active pins (round):	2
With signal lamp:	No
Number of units:	1
Number of phases:	1
Imprint/indication:	None
Connection type:	Push-in clamp
With hinged lid:	No
With enhanced contact protection:	Yes
Label space/information surface:	No
Colour:	Black
RAL-number (similar):	9005
Metallic colour:	No
Transparent:	No
Lockable:	No
Eject-mechanism:	No
Insulated mounting:	No
With function lighting:	No
With orientation lighting:	No
Over voltage protection:	No
Fault current protection:	No
With miniature fuse:	No
Special power supply:	No special power supply
Mounting method:	Surface mounted (plaster)
Type of fastening:	Mounting with screw
Material:	Plastic
Material quality:	Thermoplastic
Halogen free:	Yes
Surface protection:	Lacquered
Surface finishing:	Matt
Anti-bacterial treatment:	No
With loop through function:	No
With on/off switch:	No
Rotated central insert:	No
Frequency:	50 Hz

## Product Card

Socket outlet, Impressivo IP44, 1-gang Schuko, shuttered, screwless terminals, black matt



Device width:	80 mm
Device height:	80 mm
Device depth:	50 mm
Min. depth of built-in installation box:	28 mm