

Product Card

Surface mounting box, Impressivo, corner installation, 85mm, 2-gang, black matt



Surface mounting box

Surface mounting box, Impressivo, corner installation, 85mm, 2-gang, black matt

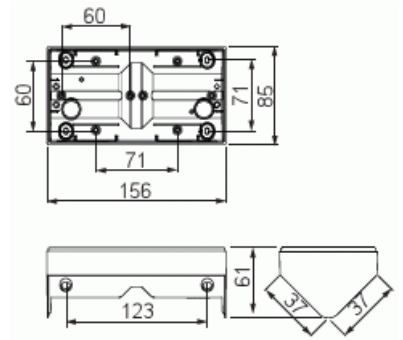
Type: 1722H-885

Product ID: 2TKA00004460

GTIN: 6438199008592

IP21

Surface mounting box for corner installation and for 2 Impressivo flush mounting products. Use with 85mm cover frames.



Technical specification

Classification

Protection class: IP21

Packing

Package: 1/20

Unit: PCS

ETIM Data

Assembly arrangement: Surface mounted housing

Suitable for modular domestic switching devices: No

Number of units: 2

Material: Plastic

Material quality: Thermoplastic

Product Card

Surface mounting box, Impressivo, corner installation, 85mm, 2-gang, black matt



Halogen free:	Yes
Surface protection:	Lacquered
Surface finishing:	Matt
Colour:	Black
RAL-number (similar):	9005
Transparent:	No
With cover frame:	No
With duct entry:	No
With cable entry:	No
With screw gland entry:	No
Shock resistant:	No
Degree of protection (IP):	IP21
Width:	156 mm
Height:	85 mm
Depth:	60 mm
Device width:	156.000
Device height:	85.000
Device depth:	60.00