

# Mounting box

Mounting box for EI60 and EI30 fire rated walls

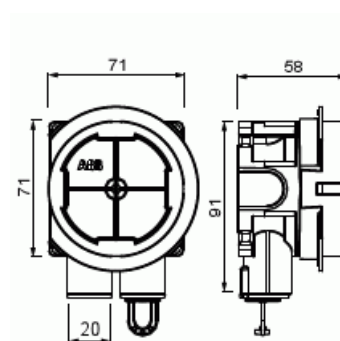
**Type:** AU60.10FR

**Product ID:** 2TKA00004281

**GTIN:** 6438199008172



AU60.10FR is installation box which is certified to be used in EI60 and EI30 fire rated walls. The mounting box includes a rotating, steplessly adjustable extension ring enabling installation on boards with a thickness of 12-40mm. Screw distance is c/c 60mm. The green adapter ring, delivered with the box, is used in single-board walls (12-13 mm). The ring is removed when the wall thickness is two boards (24-26 mm). In case of triple boards, extension ring is lifted to needed height. The box has two fixed inlets, both of them are open (other sealed with a plug) and both inlets are equipped with a locking device in metal for reliable connection between the conduits and the box. Both flexipipe and stiff/rigid conduits can be connected to the inlets and both inlets have 16/20 mm piping adapters. The extension ring can be tilted 0-4°. Made of halogen free material (IEC/61249-2-21) and fulfills the requirements of the glow wire test according to the standard IEC/EN60670: 2005 (850 °C).



## Technical specification

### Electrical quantities

Rated voltage:	400 V
----------------	-------

### Thermal conditions

Operating temperature:	-25 ... 60 °C
------------------------	---------------

# Product Card

Mounting box for EI60 and EI30 fire rated walls



## Dimensions

For plastic pipe:	Ø16/20mm
-------------------	----------

## Packing

Package:	50
Unit:	PCS

## ETIM Data

Mounting method:	Other
Shape:	Round
Construction type:	Device connection box (round/square)
Model:	Single
Provided with revolving ring:	Yes
Connectable:	Yes
Equipped with:	None
Diameter:	71 mm
Length:	71 mm
Width:	71 mm
Depth:	71 mm
Inner depth:	51 mm
For number of electric fittings:	1
Mounting switching equipment:	Screwing
With screws:	Yes
Housing feed-through by break-out opening:	Yes
Housing feed-through by seal membrane:	No
Housing feed-through by nozzle:	Yes
Housing feed-through by step membrane:	No
For tube diameter:	16 mm
Pipe locking:	Yes
Pipe locking optional:	No
Inlet from the rear:	No
Number of inlets:	6
Number of included spouts:	2

# Product Card

Mounting box for EI60 and EI30 fire rated walls



Material:	Plastic
Halogen free:	Yes
Surface protection:	Untreated
Colour:	Red
Degree of protection (IP):	IP3X
Cover model:	Construction protective cover
Transparent cover:	No
Cover attachment:	Snapped on
Sealable:	No
Circuit integrity:	E60
With screening:	No
Air tight:	No
Clamp position fixed:	No
Luminaire hook mounting:	No
Special application:	Fire protection