

Product Card

Surface-mounted junction box, IP65, 104 x 104mm, black



Junction box IP65

Surface-mounted junction box, IP65, 104 x 104mm, black



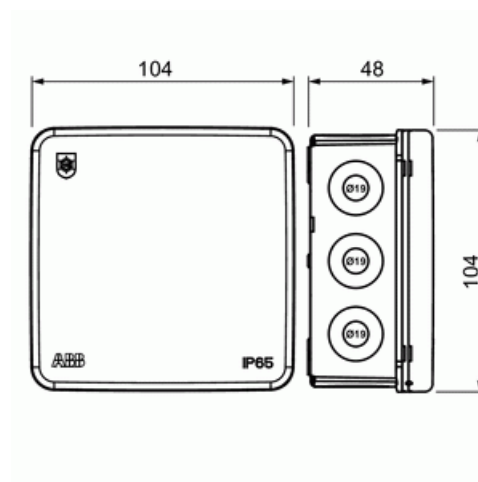
Type: AP10M

Product ID: 2TKA00004261

GTIN: 6438199008158



IP65



The black square junction box AP10M (6,0 mm², 500 V) is equipped with 12 membrane cable entries (Ø 19 mm) in the sides, and two on the bottom. Cables are easy to connect by simply inserting the stripped ends through the inlets. The box locks by snapping and can be opened by inserting a screwdriver (for example) into the opening slots - no screws are needed. The box can be furnished with strain-reliefs AS9.10, AS9, AS9.1 and AS9.3. Mounting temperature -25...+60 °C. Made of halogen free material (IEC/61249-2-21)

Technical specification

Electrical quantities

Rated voltage:	500 V
Wire range:	6 mm ²

Classification

Enclosure class:	IP65
------------------	------

© ABB 2024

Business ID 0763403-0

www.installationmaterials.com

Customer service

puh. +358 10 222 1999

contact.center@fi.abb.com

ABB Exchange

+358 10 22 11

Product Card

Surface-mounted junction box, IP65, 104 x 104mm, black



Dimensions

Dimensions:	104 x 104 mm
-------------	--------------

Thermal conditions

Operating temperature:	-25 ... 60 °C
------------------------	---------------

Colors

Colour:	Black
Colour code:	RAL9003

Packing

Package:	5/30
Unit:	PCS

ETIM Data

Equipped with:	None
Shape:	Square
Mounting method:	Universal
Mounting in the soil:	No
Mounting under water:	No
Inlet from the rear:	Yes
Length:	104 mm
Width:	104 mm
Depth:	104 mm
Tackable:	No
Number of inlets:	14
Type of housing feed-through:	Seal membrane
Material:	Other
Halogen free:	Yes
Surface protection:	Untreated
Colour:	Black
Degree of protection (IP):	IP65

Product Card

Surface-mounted junction box, IP65, 104 x 104mm, black



Cover model:	Blind cover
Transparent cover:	No
Cover attachment:	Snapped on
Castable:	No
With casting compound:	No
Sealable:	No
Rated insulation voltage Ui:	500 V
With screening:	No
Weatherproof:	Yes
Operating temperature:	-25...60 °C
Explosion-tested version:	No