

Box support

Box support for concrete elements

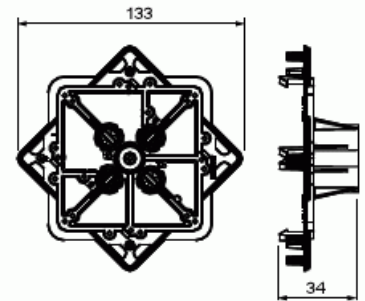
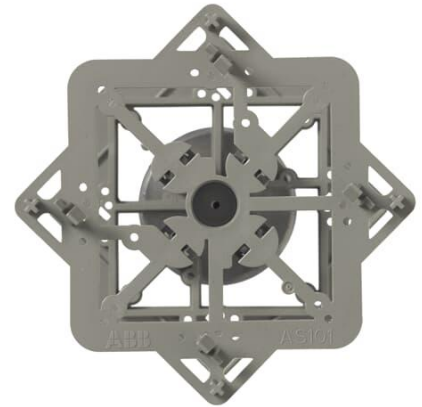
Type: AS101

Product ID: 2TKA00004251

GTIN: 6438199008257



Box support AS101 is used at concrete element factories with casting tables when installing mounting or junction boxes into upper side of the element. The support is assembled from two AS101 plastic parts: the other is fixed to the casting table with threaded bushing magnet ("vemo magnet", for example D60/65 H10, M16) and the other is equipped with the box (compatible with most boxes in the market). The plastic parts are then connected to each other's with two rebars Ø10mm or Ø8mm. The length of the rebars is dependent on the thickness of the element and the box used (separate chart for dimensioning). Made of 100% recycled plastic (post-consumer plastic waste) and halogen free material (IEC/61249-2-21).



Technical specification

Thermal conditions

Operating temperature: -15 ... 60 °C

Packing

Package: 60

Unit: PCS

ETIM Data

Type of accessory/spare part: Other

Product Card

Box support for concrete elements



Accessory:	Yes
Spare part:	No
Suitable for built-in installation box:	Yes
Suitable for central conduit box:	No