

## Product Card

Adapter, Impressivo, 85/100mm, black matt



# Adapter

Adapter, Impressivo, 85/100mm, black matt

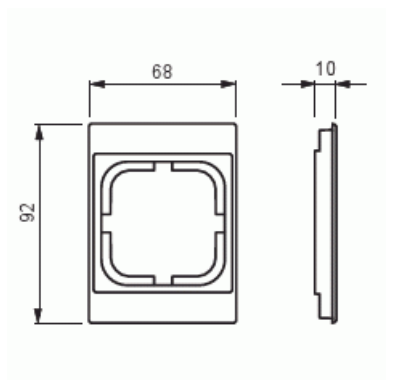
**Type:** 2519-885

**Product ID:** 2TKA00004105

**GTIN:** 6438199008028



With the aid of an adaptor, 1-gang center plated accessories can be mounted in 100mm 2-gang cover frames. The manufacture material is a durable high quality plastic. The surface is glossy and easy to keep clean. Cleaning with a mild, standard household detergent. Be careful when cleaning with a powerful dissolvent.



## Technical specification

### Packing

Package:	1/20/200/3600
Unit:	PCS

### ETIM Data

Number of units:	1
Mounting direction:	Horizontal and vertical
Number of units horizontal:	1
Number of units vertical:	1
With mounting grid:	No
Suitable for floor box:	No
Suitable for wall duct:	No

# Product Card

Adapter, Impressivo, 85/100mm, black matt



Suitable for built-in installation:	No
Label space/information surface:	No
Material:	Plastic
Material quality:	Thermoplastic
Halogen free:	Yes
Surface protection:	Lacquered
Surface finishing:	Matt
Colour:	Black
RAL-number (similar):	9005
Transparent:	No
With hinged lid:	No
Degree of protection (IP):	IP21
Type of fastening:	Clamping/screw mounting
Width:	68 mm
Height:	10 mm
Depth:	68 mm
Built-in width:	92 mm
Built-in height:	68 mm