

Product Card

Cover frame, Impressivo, 85mm, 1-gang, black matt



Cover frame

Cover frame, Impressivo, 85mm, 1-gang, black matt

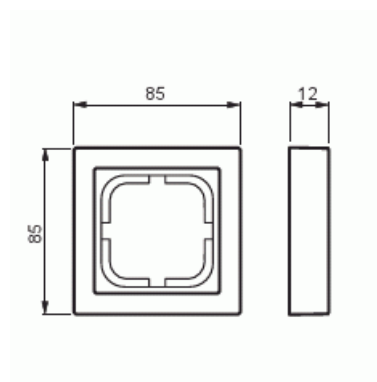
Type: 1721F85-885

Product ID: 2TKA00004071

GTIN: 6438199005980



Flush mounting cover frame for 1-gang cover plated accessories, such as switches. The manufacture material is a durable high quality plastic. The surface is matt and easy to keep clean. Cleaning with a mild, standard household detergent. Be careful when cleaning with a powerful dissolvent.



Technical specification

Packing

Package:	1/10/100/2800
Unit:	PCS

ETIM Data

Number of units:	1
Mounting direction:	Horizontal and vertical
Number of units horizontal:	1
Number of units vertical:	1
With mounting grid:	No
Suitable for floor box:	No
Suitable for wall duct:	No

Product Card

Cover frame, Impressivo, 85mm, 1-gang, black matt



Suitable for built-in installation:	No
Label space/information surface:	No
Material:	Plastic
Material quality:	Thermoplastic
Halogen free:	Yes
Surface protection:	Lacquered
Surface finishing:	Matt
Colour:	Black
RAL-number (similar):	9005
Transparent:	No
With hinged lid:	No
Degree of protection (IP):	IP21
Type of fastening:	Clamping/screw mounting
Width:	85 mm
Height:	12 mm
Depth:	85 mm
Built-in width:	85 mm
Built-in height:	85 mm