

# Protective cover

Protective cover for AU67 and AU70

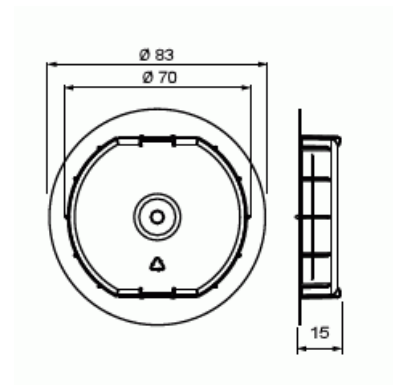
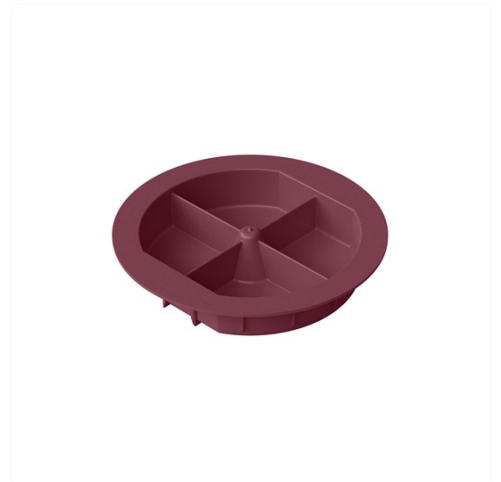
Type: AS67.70

Product ID: 2TKA00004021

GTIN: 6438199005942



Made of halogen free material (IEC/61249-2-21).



## Technical specification

### Packing

Package:	100
Unit:	PCS

### ETIM Data

Diameter:	83 mm
For box-/housing diameter:	83 mm
Length:	83 mm
Width:	83 mm
Depth:	83 mm
Shape:	Round
Model:	Construction protective cover

# Product Card

Protective cover for AU67 and AU70



With cable outlet:	No
Halogen free:	Yes
Colour:	Red
With screws:	No
Sealable:	No