

Product Card

Quadruple inlet for flexipipe, 2 x Ø16 mm + 2 x Ø16/20 mm



Inlet

Quadruple inlet for flexipipe, 2 x Ø16 mm + 2 x Ø16/20 mm



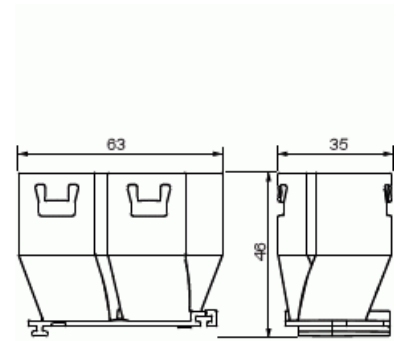
Type: AN8.4

Product ID: 2TKA00003692

GTIN: 6438199005140



Quadruple inlet for AU80 -range installation boxes, with locking device for flexible conduit. Can be used with two Ø16 mm and with additional two Ø16/20mm flexipipe (20mm inlets are equipped with reducer to Ø16 mm and with plugs). To be installed to the side of the installation box where there are two Ø20 mm knock-outs. IP rating IP3X. Made of halogen free material (IEC/61249-2-21).



Technical specification

Packing

Package:	20/100
Unit:	PCS

ETIM Data

Type of accessory/spare part:	Other
Accessory:	Yes
Spare part:	No
Suitable for built-in installation box:	Yes
Suitable for central conduit box:	No