

Product Card

Interconnector C/C 85 mm and C/C 100 mm



Interconnector

Interconnector C/C 85 mm and C/C 100 mm

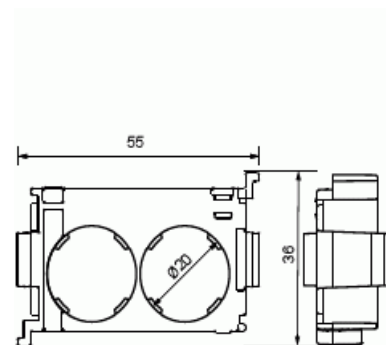
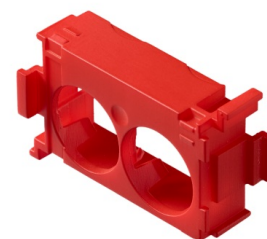
Type: AS8.3

Product ID: 2TKA00003691

GTIN: 6438199005133



Interconnector AS8.3 is used when low-voltage or strong-current circuit box groups are installed under different cover plates. With interconnector AS8.3 the distance between box centers are either 85 mm or 100 mm depending on installation. Additionally, AS8.3 can be used as a inlet for 20 mm flexible conduit with AU80 -range boxes. Made of halogen free material (IEC/61249-2-21).



Technical specification

Packing

Package:	50/250
Unit:	PCS

ETIM Data

Type of accessory/spare part:	Other
Accessory:	Yes
Spare part:	No
Suitable for built-in installation box:	Yes
Suitable for central conduit box:	No