

Product Card

Mounting box, board thickness 13-27 mm



Mounting box

Mounting box, board thickness 13-27 mm

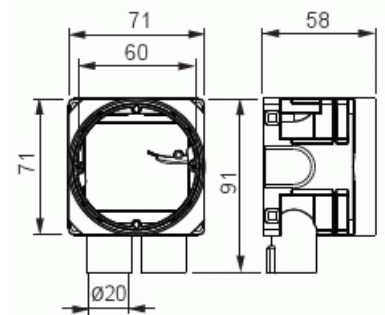
Type: AU5.6

Product ID: 2TKA00003511

GTIN: 6438199005027



The mounting box includes a rotating, steplessly adjustable extension ring enabling installation on boards with a thickness of 13-27 mm. Installation depth is 55 mm and overall height 58-72 mm. The extension ring can be tilted 0-4° and the box has 2 opened branch inlets for 16/20 mm conduits. In addition, there are four knock-out inlets on the side, two 16 mm and one 20 mm inlet in the bottom. Made of halogen free material (IEC/61249-2-21) and fulfills the requirements of the glow wire test according to the standard IEC/EN60670: 2005 (850 °C).



Technical specification

Thermal conditions

Operating temperature: -20 ... 60 °C

Dimensions

For plastic pipe: Ø16/20mm

Electrical quantities

Operating voltage: 400 V

Product Card

Mounting box, board thickness 13-27 mm



Packing

| | |
|----------|-----|
| Package: | 50 |
| Unit: | PCS |

ETIM Data

| | |
|--|--------------------------------------|
| Mounting method: | Flush mounted (plaster) |
| Shape: | Round |
| Construction type: | Device connection box (round/square) |
| Model: | Single |
| Provided with revolving ring: | No |
| Connectable: | Yes |
| Equipped with: | None |
| Diameter: | 71 mm |
| Length: | 71 mm |
| Width: | 71 mm |
| Depth: | 71 mm |
| Inner depth: | 55 mm |
| For number of electric fittings: | 1 |
| Mounting switching equipment: | Screwing |
| With screws: | Yes |
| Housing feed-through by break-out opening: | Yes |
| Housing feed-through by seal membrane: | No |
| Housing feed-through by nozzle: | Yes |
| Housing feed-through by step membrane: | No |
| For tube diameter: | 16/20 mm |
| Pipe locking: | Yes |
| Pipe locking optional: | No |
| Inlet from the rear: | Yes |
| Number of inlets: | 2 |
| Material: | Plastic |
| Halogen free: | Yes |
| Surface protection: | Untreated |
| Colour: | Blue |

Product Card

Mounting box, board thickness 13-27 mm



| | |
|----------------------------|-------------------------------|
| Degree of protection (IP): | IP3X |
| Cover model: | Construction protective cover |
| Transparent cover: | No |
| Cover attachment: | Snapped on |
| Sealable: | No |
| With screening: | No |
| Air tight: | No |
| Clamp position fixed: | No |
| Luminaire hook mounting: | No |
| Special application: | None |