

Product Card

Mounting box for hollow walls, hole Ø74 mm



Mounting box

Mounting box for hollow walls, hole Ø74 mm

Type: AUS74.2

Product ID: 2TKA00003482

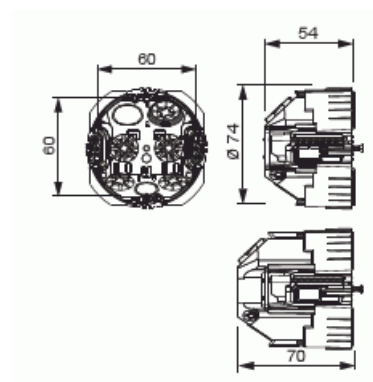
GTIN: 6438199005041



AUS74.2 is a front-mounted mounting box with a telescopic bottom part for walls of 1–3 plasterboards (wall thickness 9–39 mm). Due to the telescopic bottom part, the depth of the box can be adjusted between 54mm and 70 mm. Mounting hole diameter 73–74 mm (normal box drill).

The protection rating of the box is IP3X. Made from halogen-free material (IEC/61249-2-21) and fulfills the requirements of the glow wire test

according to the IEC/EN 60670 standard: 2005 (850 °C).



Technical specification

Thermal conditions

Operating temperature: -25 ... 90 °C

Dimensions

For plastic pipe: Ø16/20mm

Electrical quantities

Operating voltage: 400 V

Product Card

Mounting box for hollow walls, hole Ø74 mm



Packing

Package:	60
Unit:	PCS

ETIM Data

Mounting method:	Flush mounted (plaster)
Shape:	Round
Construction type:	Device connection box (round/square)
Model:	Single
Provided with revolving ring:	No
Connectable:	Yes
Equipped with:	None
Diameter:	74 mm
Length:	73 mm
Width:	73 mm
Depth:	73 mm
Inner depth:	52 mm
For number of electric fittings:	1
Mounting switching equipment:	Screwing
With screws:	Yes
Housing feed-through by break-out opening:	No
Housing feed-through by seal membrane:	No
Housing feed-through by nozzle:	No
Housing feed-through by step membrane:	No
For tube diameter:	20 mm
Suitable for cable diameter:	8...13 mm
Pipe locking:	Yes
Pipe locking optional:	No
Inlet from the rear:	Yes
Material:	Plastic
Halogen free:	Yes
Surface protection:	Untreated
Colour:	White

Product Card

Mounting box for hollow walls, hole Ø74 mm



Degree of protection (IP):	IP3X
Transparent cover:	No
Sealable:	No
With screening:	No
Air tight:	No
Clamp position fixed:	No
Special application:	None