

Product Card

Socket outlet, Jussi, Schuko, 2-gang, shuttered, screwless terminals, lath installation, white



Socket outlet

Socket outlet, Jussi, Schuko, 2-gang, shuttered, screwless terminals, lath installation, white

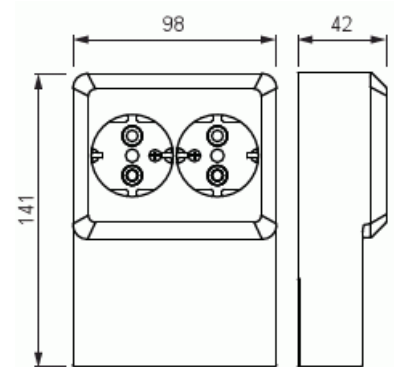
Type: 402EL

Product ID: 2TKA00003272

GTIN: 6438199004914



There are terminals for each contact of the socket outlet for max 4 rigid wires. No X-terminals.



Technical specification

Electrical quantities

Rated current: 16 A

Classification

Protection class: IP21

Packing

Package: 1/10

Unit: PCS

ETIM Data

Number of active pins (round): 2

© ABB 2024

Business ID 0763403-0

www.installationmaterials.com

Customer service

puh. +358 10 222 1999

contact.center@fi.abb.com

ABB Exchange

+358 10 22 11

Product Card

Socket outlet, Jussi, Schuko, 2-gang, shuttered, screwless terminals, lath installation, white



With signal lamp:	No
Number of units:	1
Number of phases:	1
Imprint/indication:	None
Connection type:	Push-in clamp
Label space/information surface:	No
Colour:	White
RAL-number (similar):	9010
Metallic colour:	No
Transparent:	No
Special power supply:	No special power supply
Mounting method:	Surface mounted (plaster)
Type of fastening:	Mounting with screw
Material:	Plastic
Material quality:	Thermoplastic
Surface protection:	Untreated
Surface finishing:	Glossy
Anti-bacterial treatment:	No
With loop through function:	No
With on/off switch:	No
Rotated central insert:	No
Nominal current:	16 A
Nominal voltage:	250 V
Frequency:	50 Hz
Suitable for degree of protection (IP):	IP21
Device width:	42 mm
Device height:	98 mm
Device depth:	141 mm