

## Product Card

Surface mounting box, Impressivo, corner installation, 85mm, 2-gang, white



# Surface mounting box

Surface mounting box, Impressivo, corner installation, 85mm, 2-gang, white

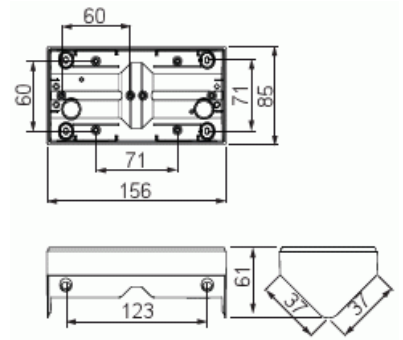
**Type:** 1722H-84

**Product ID:** 2TKA00002279

**GTIN:** 6438199003955



Surface mounting box for corner installation and for 2 Impressivo flush mounting products. Use with 85mm cover frames.



## Technical specification

### Classification

Enclosure class:	IP21
------------------	------

### Packing

Package:	1/20
Unit:	PCS

### ETIM Data

Assembly arrangement:	Surface mounted housing
Suitable for modular domestic switching devices:	No
Number of units:	2
Mounting direction:	Horizontal and vertical
Shape:	Rectangular

# Product Card

Surface mounting box, Impressivo, corner installation, 85mm, 2-gang, white



Material:	Plastic
Material quality:	Thermoplastic
Halogen free:	Yes
Surface protection:	Untreated
Surface finishing:	Glossy
Colour:	White
RAL-number (similar):	9016
Transparent:	No
With cover frame:	No
With duct entry:	No
With cable entry:	No
With screw gland entry:	No
Shock resistant:	No
Degree of protection (IP):	IP21
Width:	85 mm
Height:	60 mm
Depth:	156 mm
Device width:	85
Device height:	60
Device depth:	156