

Product Card

Cover plate, Jussi, blind, 2-gang, screw fastening



Cover plate

Cover plate, Jussi, blind, 2-gang, screw fastening

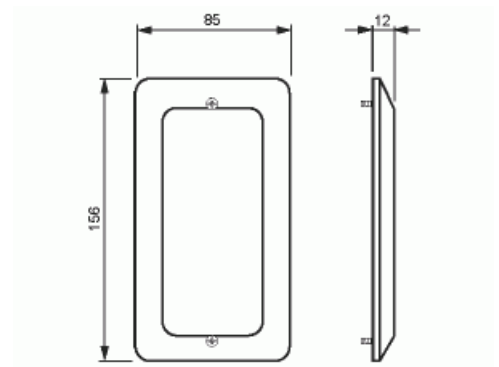
Type: 2608

Product ID: 2TKA000021G1

GTIN: 6410021660529



For covering two unused boxes or one double box. Screw fastening.



Technical specification

Dimensions

Dimensions: 85x156 mm

Classification

Enclosure class: IP21

Packing

Package: 10/100

Unit: PCS

ETIM Data

Number of units: 1

Product Card

Cover plate, Jussi, blind, 2-gang, screw fastening



Mounting direction:	Horizontal and vertical
Number of units horizontal:	1
Number of units vertical:	1
With mounting grid:	No
Flush-mounted installation:	Yes
Suitable for floor box:	No
Suitable for wall duct:	No
Suitable for built-in installation:	No
Label space/information surface:	No
Material:	Plastic
Material quality:	Thermoplastic
Halogen free:	Yes
Anti-bacterial treatment:	No
Surface protection:	Untreated
Surface finishing:	Matt
Colour:	White
RAL-number (similar):	9010
Transparent:	No
With hinged lid:	No
Degree of protection (IP):	IP21
Width:	85 mm
Height:	10 mm
Depth:	156 mm
Built-in width:	156 mm
Built-in height:	85 mm
Diameter bore hole (opening):	74 mm