

## Product Card

Strain relief for 20 mm inlets, e.g. for mounting/junction boxes and conduit extensions



# Inlet

Strain relief for 20 mm inlets, e.g. for mounting/junction boxes and conduit extensions



**Type:** AS12.4

**Product ID:** 2TKA00001757

**GTIN:** 6438199003467

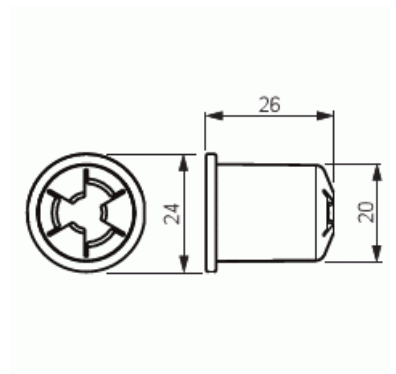


The new strain relief inlet AS12.4 offer more opportunities for installations with insulated cable.

The AS12.4 strain relief is used in insulated cable mounting to secure max. 5 x 2,5 mm<sup>2</sup> cables in the 20 mm inlets of mounting or junction boxes.

The strain relief can also be used with a 20 mm AJ20 conduit extension e.g. in the transition between conduit and insulated cable installation.

Made of halogen free material (IEC/61249-2-21)



## Technical specification

### Packing

Package:	50/250
Unit:	PCS