

Product Card

Surface mounting box, Impressivo, 85mm, h=41mm, 1-gang, aluminum



Surface mounting box

Surface mounting box, Impressivo, 85mm, h=41mm, 1-gang, aluminum

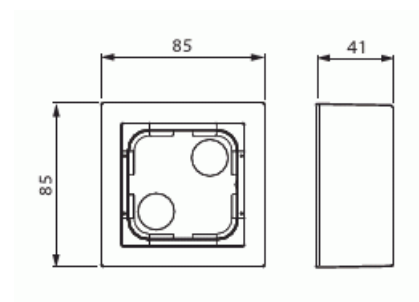
Type: 1721A-83

Product ID: 2TKA00001618

GTIN: 6438199003399



Impressivo flush mounting devices are installed in surface with surface mounting boxes. The box depth is not enough for electronic products, such as dimmers. The material is a durable high quality plastic. The surface is glossy and easy to keep clean. Cleaning with a mild, standard household detergent. Be careful when cleaning with a powerful dissolvent.



Technical specification

Classification

Enclosure class:	IP20
------------------	------

Packing

Package:	1/10/100/1200
Unit:	PCS

ETIM Data

Assembly arrangement:	Surface mounted housing
Suitable for modular domestic switching devices:	No
Number of units:	1
Mounting direction:	Horizontal and vertical

Product Card

Surface mounting box, Impressivo, 85mm, h=41mm, 1-gang, aluminum



Shape:	Rectangular
Material:	Plastic
Material quality:	Thermoplastic
Halogen free:	Yes
Surface protection:	Lacquered
Surface finishing:	Matt
Colour:	Aluminium
RAL-number (similar):	9006
Transparent:	No
With cover frame:	No
With duct entry:	No
With cable entry:	No
With screw gland entry:	No
Shock resistant:	No
Degree of protection (IP):	IP21
Width:	41 mm
Height:	85 mm
Depth:	85 mm
Device width:	41
Device height:	85
Device depth:	85