

Product Card

Socket outlet, Impressivo, Schuko, 2-gang, shuttered, screwless terminals, corner installation, aluminum



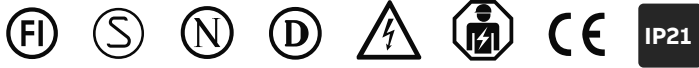
Socket outlet

Socket outlet, Impressivo, Schuko, 2-gang, shuttered, screwless terminals, corner installation, aluminum

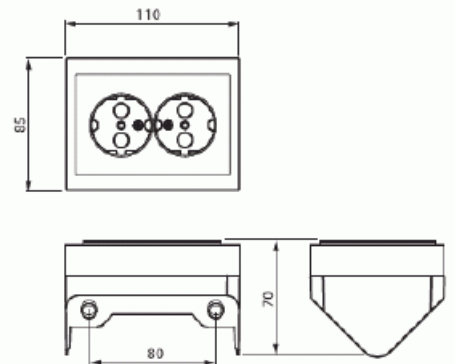
Type: 402EE-83

Product ID: 2TKA00001612

GTIN: 6438199003337



There are terminals for each contact of the socket outlet for max 4 rigid wires. No X-terminals.



Technical specification

Electrical quantities

Rated current: 16 A

Classification

Enclosure class: IP21

Protection class: IP21

Packing

Package: 1/20

Unit: PCS

Product Card

Socket outlet, Impressivo, Schuko, 2-gang, shuttered, screwless terminals, corner installation, aluminum



ETIM Data

Number of active pins (round):	2
With signal lamp:	No
Number of units:	2
Number of phases:	1
Imprint/indication:	None
Connection type:	Push-in clamp
With hinged lid:	No
With enhanced contact protection:	Yes
Label space/information surface:	No
Colour:	Aluminium
RAL-number (similar):	9006
Metallic colour:	Yes
Transparent:	No
Lockable:	No
Eject-mechanism:	No
Insulated mounting:	No
With function lighting:	No
With orientation lighting:	No
Over voltage protection:	No
Fault current protection:	No
With miniature fuse:	No
Special power supply:	No special power supply
Mounting method:	Surface mounted (plaster)
Type of fastening:	Mounting with screw
Material:	Plastic
Material quality:	Thermoplastic
Halogen free:	Yes
Surface protection:	Lacquered
Surface finishing:	Matt
Anti-bacterial treatment:	No
With loop through function:	No
With on/off switch:	No

Product Card

Socket outlet, Impressivo, Schuko, 2-gang, shuttered, screwless terminals, corner installation, aluminum



Rotated central insert:	No
Nominal current:	16 A
Nominal voltage:	250 V
Frequency:	50 Hz
Suitable for degree of protection (IP):	IP21
Device width:	85 mm
Device height:	70 mm
Device depth:	111 mm