

Product Card

Socket outlet, Impressivo, Schuko, 2-gang, shuttered, screwless terminals, corner installation, white



Socket outlet

Socket outlet, Impressivo, Schuko, 2-gang, shuttered, screwless terminals, corner installation, white

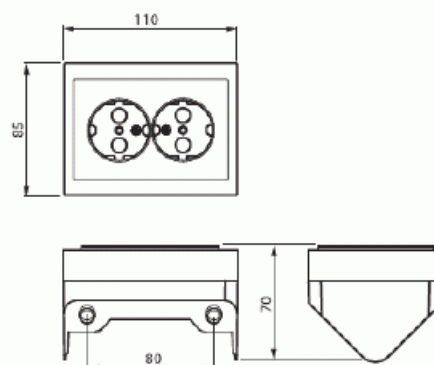
Type: 402EE-84

Product ID: 2TKA00001610

GTIN: 6438199003313



There are terminals for each contact of the socket outlet for max 4 rigid wires. No X-terminals.



Technical specification

Electrical quantities

| | |
|----------------|-------|
| Rated current: | 16 AX |
| Rated voltage: | 250 V |

Classification

| | |
|------------------|------|
| Enclosure class: | IP21 |
|------------------|------|

Packing

| | |
|----------|------|
| Package: | 1/20 |
| Unit: | PCS |

Product Card

Socket outlet, Impressivo, Schuko, 2-gang, shuttered, screwless terminals, corner installation, white



ETIM Data

| | |
|-----------------------------------|---------------------------|
| Number of active pins (round): | 2 |
| With signal lamp: | No |
| Number of units: | 2 |
| Number of phases: | 1 |
| Imprint/indication: | None |
| Connection type: | Push-in clamp |
| With hinged lid: | No |
| With enhanced contact protection: | Yes |
| Label space/information surface: | No |
| Colour: | White |
| RAL-number (similar): | 9016 |
| Metallic colour: | No |
| Transparent: | No |
| Lockable: | No |
| Eject-mechanism: | No |
| Insulated mounting: | No |
| With function lighting: | No |
| With orientation lighting: | No |
| Over voltage protection: | No |
| Fault current protection: | No |
| With miniature fuse: | No |
| Special power supply: | No special power supply |
| Mounting method: | Surface mounted (plaster) |
| Type of fastening: | Mounting with screw |
| Material: | Plastic |
| Material quality: | Thermoplastic |
| Halogen free: | Yes |
| Surface protection: | Untreated |
| Surface finishing: | Glossy |
| Anti-bacterial treatment: | No |
| With loop through function: | No |
| With on/off switch: | No |

Product Card

Socket outlet, Impressivo, Schuko, 2-gang, shuttered, screwless terminals, corner installation, white



| | |
|---|--------|
| Rotated central insert: | No |
| Nominal current: | 16 A |
| Nominal voltage: | 250 V |
| Frequency: | 50 Hz |
| Suitable for degree of protection (IP): | IP21 |
| Device width: | 85 mm |
| Device height: | 70 mm |
| Device depth: | 111 mm |