

## Product Card

2-gang 1-way switch, 16AX/250V, Impressivo, 2 X-terminals, aluminum



# Switch

2-gang 1-way switch, 16AX/250V,  
Impressivo, 2 X-terminals, aluminum

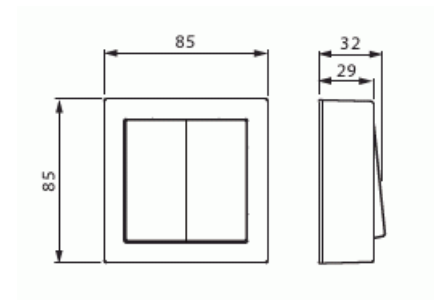
**Type:** 1065A-83

**Product ID:** 2TKA00001600

**GTIN:** 6438199003214



Surface mounting switch with screwless terminals. The terminals are for max 2 solid or rigid wires. Including switch insert, rocker, surface mounting frame and bottom.



## Technical specification

### Electrical quantities

Rated current:	16 AX
Rated voltage:	250 V

### Classification

Protection class:	IP21
-------------------	------

### Packing

Package:	1/10/100/1200
Unit:	PCS

### ETIM Data

Wiring system:	2-pole switch
----------------	---------------

# Product Card

2-gang 1-way switch, 16AX/250V, Impressivo, 2 X-terminals, aluminum



Method of operation:	Rocker/button
Assembly arrangement:	Basic element with complete housing
Push button switch:	No
Number of rockers:	1
Mounting method:	Surface mounted (plaster)
Type of fastening:	Screw mounting
With mounting plate:	No
Material:	Plastic
Material quality:	Thermoplastic
Halogen free:	Yes
Anti-bacterial treatment:	No
Surface protection:	Untreated
Surface finishing:	Glossy
Colour:	Aluminium
RAL-number (similar):	9016
Label space/information surface:	No
Illumination:	No
Suitable for degree of protection (IP):	IP21
Nominal voltage:	250 V
Rated current:	16 A
Switching current for fluorescent lamps:	16 AX
Feedback-signal contact:	No
Connection type:	Other
Washing machine switch:	No
Device width:	85 mm
Device height:	33 mm
Device depth:	85 mm
Built-in depth:	18 mm
Min. depth of built-in installation box:	18 mm