

## Product Card

Surface-mounted junction box, IP65, 86 x 86 mm, green



# Junction box

Surface-mounted junction box, IP65, 86 x 86 mm, green



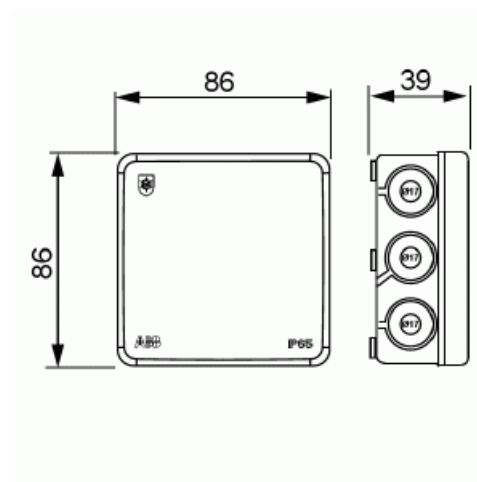
**Type:** AP9V

**Product ID:** 2TKA00001564

**GTIN:** 6438199003177



The square junction box AP9V (2,5 mm<sup>2</sup>, 500 V) is equipped with 12 membrane cable entries (Ø 17 mm) in the sides, and two in the bottom. Cables are easy to connect by simply inserting the stripped ends through the inlets. The box locks by snapping and can be opened by inserting a screwdriver (for example) into the opening slots - no screws are needed. The box can be furnished with strain-reliefs AS9.10, AS9, AS9.1 and AS9.3. Fits up to Ø 17 mm cable. VDE-approved. Mounting temperature -25...+60 °C. Made of halogen free material (IEC/61249-2-21).



## Technical specification

### Dimensions

Dimensions:	86x86x39 mm
Weight:	66 g

### Classification

Enclosure class:	IP65
------------------	------

### Electrical quantities

Rated voltage:	500 V
Wire range:	2.5 mm <sup>2</sup>

# Product Card

Surface-mounted junction box, IP65, 86 x 86 mm, green



## Thermal conditions

Operating temperature:	-25 ... 60 °C
------------------------	---------------

## Colors

Colour:	Green
Colour code:	RAL6018

## Packing

Package:	5/50
Unit:	PCS

## ETIM Data

Equipped with:	None
Shape:	Square
Mounting method:	Universal
Mounting in the soil:	No
Mounting under water:	No
Inlet from the rear:	Yes
Length:	86 mm
Width:	86 mm
Depth:	86 mm
Tackable:	No
Number of inlets:	14
Type of housing feed-through:	Seal membrane
Material:	Other
Halogen free:	Yes
Surface protection:	Untreated
Degree of protection (IP):	IP65
Cover model:	Blind cover
Transparent cover:	No
Cover attachment:	Snapped on
Castable:	No

## Product Card

Surface-mounted junction box, IP65, 86 x 86 mm, green



With casting compound:	No
Sealable:	No
Rated insulation voltage Ui:	500 V
With screening:	No
Weatherproof:	Yes
Operating temperature:	-25...60 °C
Explosion-tested version:	No