

# Mounting box

Mounting box + extension ring 12 mm

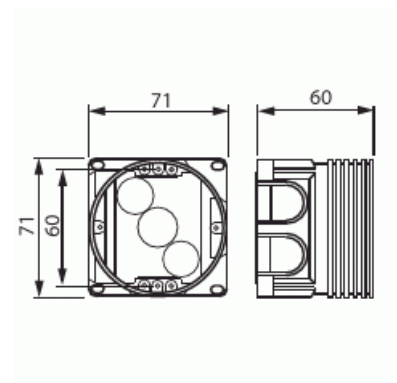
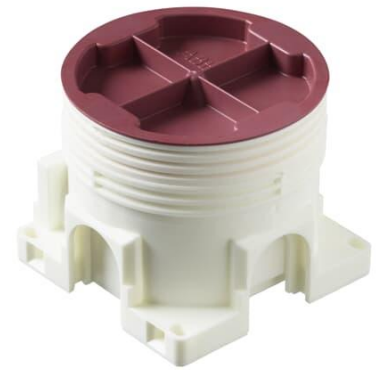
Type: AU3.24

Product ID: 2TKA00001097

GTIN: 6438199002927



The device offers mounting box AU3.2 modified with a 12 mm deep extension ring. It has a total of five knock-out inlets, two of which are on the same side. The bottom of the box provides access for two rear inlets. The boxes can be connected to each other with the PMR474 interconnector. Manufactured from halogen-free material, the box complies with the IEC/EN60670:2005 standard filament test (850°C).



## Technical specification

### Packing

Package:	100
Unit:	PCS

### ETIM Data

Mounting method:	Flush mounted (plaster)
Shape:	Round
Construction type:	Device connection box (round/square)
Model:	Single
Provided with revolving ring:	No
Connectable:	Yes
Equipped with:	None

# Product Card

Mounting box + extension ring 12 mm



Diameter:	71 mm
Length:	71 mm
Width:	71 mm
Depth:	71 mm
Inner depth:	57 mm
For number of electric fittings:	1
Mounting switching equipment:	Screwing
With screws:	Yes
Housing feed-through by break-out opening:	Yes
Housing feed-through by seal membrane:	No
Housing feed-through by nozzle:	No
Housing feed-through by step membrane:	No
For tube diameter:	20/25 mm
Pipe locking:	Yes
Pipe locking optional:	No
Inlet from the rear:	Yes
Material:	Plastic
Halogen free:	Yes
Surface protection:	Untreated
Colour:	White
Transparent cover:	No
Cover attachment:	Snapped on
Sealable:	No
With screening:	No
Air tight:	No
Clamp position fixed:	No
Luminaire hook mounting:	No
Special application:	None