

## Product Card

DCL lighting outlet, wall outlet, 85x85mm, anthracite



# Lighting outlet

DCL lighting outlet, wall outlet,  
85x85mm, anthracite

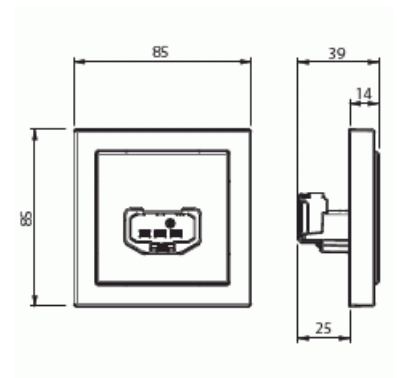
**Type:** AKK6-81

**Product ID:** 2TKA00000936

**GTIN:** 6438199002361



DCL lighting outlet, wall outlet, 85x85mm, anthracite



## Technical specification

### Dimensions

Dimensions: 85x85x38 mm

### Classification

Enclosure class: IP20

### Packing

Package: 10/100

Unit: PCS

### ETIM Data

With signal lamp: No

# Product Card

DCL lighting outlet, wall outlet, 85x85mm, anthracite



Number of units:	1
Number of socket outlets switchable:	1
Number of phases:	1
Imprint/indication:	None
With hinged lid:	No
With enhanced contact protection:	No
Label space/information surface:	No
Colour:	Anthracite
RAL-number (similar):	7021
Metallic colour:	No
Transparent:	No
Lockable:	No
Eject-mechanism:	No
Insulated mounting:	No
With function lighting:	No
With orientation lighting:	No
Over voltage protection:	No
Fault current protection:	No
With miniature fuse:	No
Special power supply:	No special power supply
Mounting method:	Surface mounted (plaster)
Type of fastening:	Mounting with screw
Material:	Plastic
Material quality:	Thermoplastic
Halogen free:	Yes
Surface protection:	Untreated
Surface finishing:	Glossy
Anti-bacterial treatment:	No
With loop through function:	No
With on/off switch:	No
Rotated central insert:	No
Nominal current:	6 A
Nominal voltage:	250 V
Frequency:	50...60 Hz

# Product Card

DCL lighting outlet, wall outlet, 85x85mm, anthracite



Suitable for degree of protection (IP):	IP20
Impact strength:	IK00
Device width:	85 mm
Device height:	39 mm
Device depth:	85 mm
Min. depth of built-in installation box:	25 mm