

Product Card

DCL lighting outlet, wall outlet, 85x85mm, white



Lighting outlet

DCL lighting outlet, wall outlet, 85x85mm, white

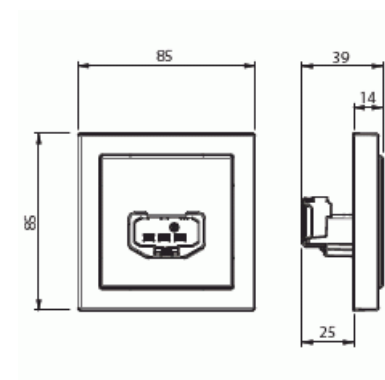
Type: AKK6-84

Product ID: 2TKA00000934

GTIN: 6438199002330



DCL lighting outlet, wall outlet, 85x85mm, white



Technical specification

Dimensions

Dimensions:	85x85x38 mm
-------------	-------------

Classification

Enclosure class:	IP20
------------------	------

Packing

Package:	10/100
Unit:	PCS

ETIM Data

With signal lamp:	No
-------------------	----

Product Card

DCL lighting outlet, wall outlet, 85x85mm, white



Number of units:	1
Number of socket outlets switchable:	1
Number of phases:	1
Imprint/indication:	None
With hinged lid:	No
With enhanced contact protection:	No
Label space/information surface:	No
Colour:	White
RAL-number (similar):	9010
Metallic colour:	No
Transparent:	No
Lockable:	No
Eject-mechanism:	No
Insulated mounting:	No
With function lighting:	No
With orientation lighting:	No
Over voltage protection:	No
Fault current protection:	No
With miniature fuse:	No
Special power supply:	No special power supply
Mounting method:	Surface mounted (plaster)
Type of fastening:	Mounting with screw
Material:	Plastic
Material quality:	Thermoplastic
Halogen free:	Yes
Surface protection:	Untreated
Surface finishing:	Glossy
Anti-bacterial treatment:	No
With loop through function:	No
With on/off switch:	No
Rotated central insert:	No
Nominal current:	6 A
Nominal voltage:	250 V
Frequency:	50...60 Hz

Product Card

DCL lighting outlet, wall outlet, 85x85mm, white



Suitable for degree of protection (IP):	IP20
Impact strength:	IK00
Device width:	85 mm
Device height:	39 mm
Device depth:	85 mm
Min. depth of built-in installation box:	25 mm