

## Product Card

DCL lighting outlet, wall outlet, 100x100mm



# Lighting outlet

DCL lighting outlet, wall outlet,  
100x100mm

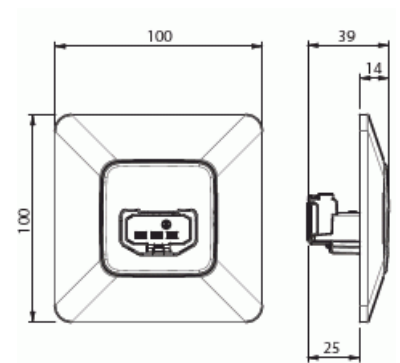
**Type:** AKK7-214

**Product ID:** 2TKA00000932

**GTIN:** 6438199002385



DCL lighting outlet, wall outlet, 100x100mm



## Technical specification

### Dimensions

Dimensions: 100x100x38 mm

### Classification

Enclosure class: IP20

### Packing

Package: 5/50

Unit: PCS

### ETIM Data

With signal lamp: No

© ABB 2024

Business ID 0763403-0

[www.installationmaterials.com](http://www.installationmaterials.com)

Customer service

puh. +358 10 222 1999

[contact.center@fi.abb.com](mailto:contact.center@fi.abb.com)

ABB Exchange

+358 10 22 11

# Product Card

DCL lighting outlet, wall outlet, 100x100mm



Number of units:	1
Number of socket outlets switchable:	1
Number of phases:	1
Imprint/indication:	None
With hinged lid:	No
With enhanced contact protection:	No
Label space/information surface:	No
Colour:	White
RAL-number (similar):	9010
Metallic colour:	No
Transparent:	No
Lockable:	No
Eject-mechanism:	No
Insulated mounting:	No
With function lighting:	No
With orientation lighting:	No
Over voltage protection:	No
Fault current protection:	No
With miniature fuse:	No
Special power supply:	No special power supply
Mounting method:	Surface mounted (plaster)
Type of fastening:	Mounting with screw
Material:	Plastic
Material quality:	Thermoplastic
Halogen free:	Yes
Surface protection:	Untreated
Surface finishing:	Matt
Anti-bacterial treatment:	No
With loop through function:	No
With on/off switch:	No
Rotated central insert:	No
Nominal current:	6 A
Nominal voltage:	250 V
Frequency:	50...60 Hz

## Product Card

DCL lighting outlet, wall outlet, 100x100mm



Suitable for degree of protection (IP):	IP20
Impact strength:	IK00
Device width:	100 mm
Device height:	39 mm
Device depth:	100 mm
Min. depth of built-in installation box:	25 mm