

## Product Card

DCL lighting outlet, ceiling outlet, flush mounting



# Lighting outlet

DCL lighting outlet, ceiling outlet, flush mounting

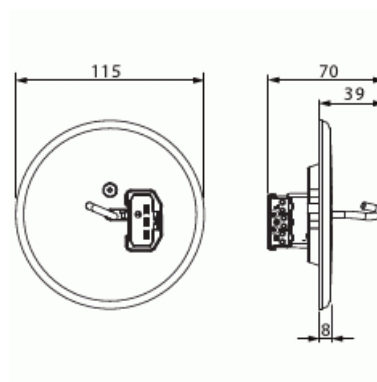
**Type:** AKK14

**Product ID:** 2TKA00000931

**GTIN:** 6438199002316



Ceiling rose AKK14 is an earthed, bipolar class 1 ceiling rose. AKK14 crown cover can be mounted onto the junction box. The group cables, 2,5 mm<sup>2</sup> (-o-), may be continued. Each ceiling rose can carry a max. 6 A 250 V lighting appliance up to the weight of 15 kilos.



## Technical specification

### Electrical quantities

Rated current:	6 A
Rated voltage:	250 V

### Classification

Enclosure class:	IP20
------------------	------

### Dimensions

Height:	70 mm
---------	-------

# Product Card

DCL lighting outlet, ceiling outlet, flush mounting



## Packing

Package:	4/40
Unit:	PCS

## ETIM Data

With signal lamp:	No
Number of units:	1
Number of socket outlets switchable:	1
Number of phases:	1
Imprint/indication:	None
With hinged lid:	No
With enhanced contact protection:	No
Label space/information surface:	No
Colour:	White
RAL-number (similar):	9010
Metallic colour:	No
Transparent:	No
Lockable:	No
Eject-mechanism:	No
Insulated mounting:	No
With function lighting:	No
With orientation lighting:	No
Over voltage protection:	No
Fault current protection:	No
With miniature fuse:	No
Special power supply:	No special power supply
Mounting method:	Surface mounted (plaster)
Type of fastening:	Mounting with screw
Material:	Plastic
Material quality:	Thermoplastic
Halogen free:	Yes
Surface protection:	Untreated
Surface finishing:	Matt

# Product Card

DCL lighting outlet, ceiling outlet, flush mounting



Anti-bacterial treatment:	No
With loop through function:	No
With on/off switch:	No
Rotated central insert:	No
Nominal current:	6 A
Nominal voltage:	250 V
Frequency:	50...60 Hz
Suitable for degree of protection (IP):	IP20
Impact strength:	IK00
Device width:	115 mm
Device height:	70 mm
Device depth:	115 mm
Min. depth of built-in installation box:	31 mm