

# Countdown timer

Basic timer, Jussi

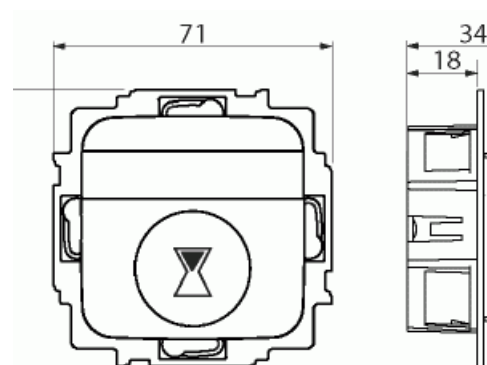
**Type:** T210-214

**Product ID:** 2TKA00000874

**GTIN:** 6438199002231



Fixed time options: 15min, 30min, 1h, 2h, 4h and 8h. Exchangeable labels with the time options to mark center plate with selected time. 230 VAC, 50Hz, 0 - 40C, IP21, 2-pole wiring. 10A resistiv load (2300W), 2AX-load (e.g. fluorescent lamp). Screw terminals max 2,5mm<sup>2</sup>. Signal light when active.



## Technical specification

### Thermal conditions

Operating temperature:	0 ... 40 °C
------------------------	-------------

### Dimensions

A:	70 mm
B:	70 mm
C:	32 mm
Recessing dimensions:	18 mm

### Classification

Protection class:	IP21
-------------------	------

# Product Card

Basic timer, Jussi



## Electronics

Operating frequency:	50 Hz
Conductor size max.:	2,5 mm <sup>2</sup>

## Packing

Package:	1/10/100/1200
Unit:	PCS

## ETIM Data

Assembly arrangement:	Basic element with central cover plate
Number of contacts as normally open contact:	1
Model:	Electronic
Mounting method:	Flush mounted (plaster)
Type of fastening:	Mounting with screw
Material:	Plastic
Material quality:	Thermoplastic
Surface protection:	Untreated
Surface finishing:	Matt
Colour:	White
RAL-number (similar):	9010
Transparent:	No
Suitable for degree of protection (IP):	IP20
Shortest switching interval:	15 min
Random generator:	No
Nominal voltage:	230 V
Astro program:	No
Substation input:	No
Rated current:	10 A
With brightness sensor connection:	No
Max. power:	2300 W
Compatible with Apple HomeKit:	No
Compatible with Google Assistant:	No

# Product Card

Basic timer, Jussi



Compatible with Amazon Alexa:	No
IFTTT support available:	No
Built-in depth:	18 mm
Min. depth of built-in installation box:	18 mm
Device width:	71 mm
Device height:	34 mm
Device depth:	71 mm