

Product Card

Cover frame, Jussi, 85mm, 1-gang



Cover frame

Cover frame, Jussi, 85mm, 1-gang

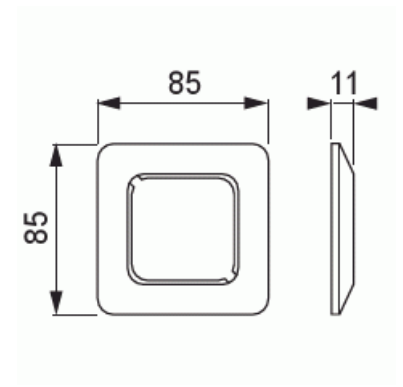
Type: 2511

Product ID: 2TKA000006G1

GTIN: 6410021661113



Jussi flush-mounting cover frame 85mm for one 1-gang device.



Technical specification

Dimensions

Dimensions: 85x85 mm

Classification

Protection class: IP21

Packing

Package: 20/200

Unit: PCS

ETIM Data

Number of units: 1

© ABB 2024

Business ID 0763403-0

www.installationmaterials.com

Customer service

puh. +358 10 222 1999

contact.center@fi.abb.com

ABB Exchange

+358 10 22 11

Product Card

Cover frame, Jussi, 85mm, 1-gang



Mounting direction:	Horizontal and vertical
Number of units horizontal:	1
Number of units vertical:	1
With mounting grid:	No
Flush-mounted installation:	Yes
Suitable for floor box:	No
Suitable for wall duct:	Yes
Suitable for built-in installation:	No
Label space/information surface:	No
Material:	Plastic
Material quality:	Thermoplastic
Halogen free:	Yes
Anti-bacterial treatment:	No
Surface protection:	Untreated
Surface finishing:	Matt
Colour:	White
RAL-number (similar):	9010
Transparent:	No
With hinged lid:	No
Degree of protection (IP):	IP21
Type of fastening:	Clamping/screw mounting
Width:	85 mm
Height:	11 mm
Depth:	85 mm
Built-in width:	85 mm
Built-in height:	85 mm
Diameter bore hole (opening):	74 mm