

Product Card

Supporting frame for 2-gang rocker, screw fastening



Supporting frame

Supporting frame for 2-gang rocker,
screw fastening

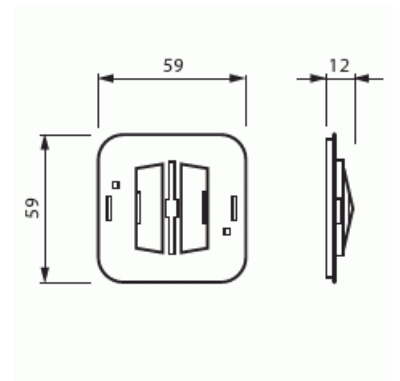
Type: 2475

Product ID: 2TKA000005G1

GTIN: 6418677328206



Screw-mounted rocker frame. Used with 2-rocker switches when the water resistance of the device is improved with the seal kit 2463 or 2464. Used without the seal kit, when the rockers need to be screw-mounted for security reasons.



Technical specification

Packing

Package:	20/200
Unit:	PCS

ETIM Data

Type of accessory/spare part:	Sealing set
Accessory:	Yes
Spare part:	No