

Supporting frame

Supporting frame for 1/3-gang rocker, screw fastening

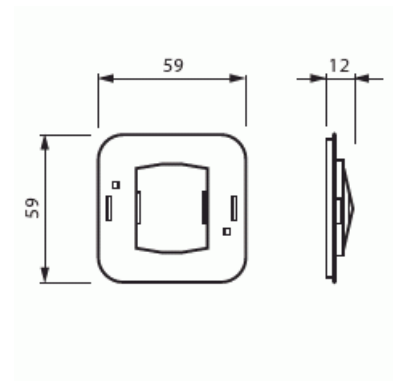
Type: 2474

Product ID: 2TKA000004G1

GTIN: 6418677328190



Screw-mounted rocker frame. Used with 1- and 3-rocker switches when the water resistance of the device is improved with the seal kit 2463 or 2464. Used without the seal kit, when the rockers need to be screw-mounted for security reasons.



Technical specification

Classification

Enclosure class:	IP44
------------------	------

Packing

Package:	20/200
Unit:	PCS

ETIM Data

Type of accessory/spare part:	Sealing set
Accessory:	Yes
Spare part:	No