

## Product Card

Euro socket outlet, Impressivo, 3-gang, shuttered, screwless terminals, branching terminals, aluminum



# Socket outlet

Euro socket outlet, Impressivo, 3-gang, shuttered, screwless terminals, branching terminals, aluminum



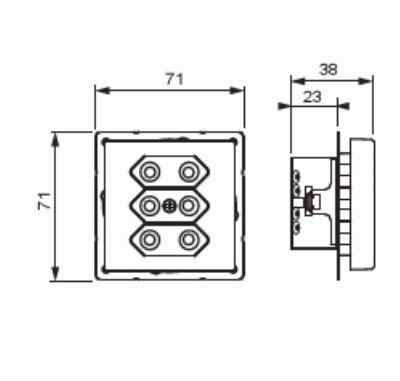
**Type:** 303UC-83

**Product ID:** 2TKA00000451

**GTIN:** 6438199001586



3-gang Euro socket outlet with center plate. There are terminals for each contact of the socket outlet for max 4 rigid wires and 2 X-terminals for 2-rigid wires. The socket outlet insert without the cover plate is screen-protected.



## Technical specification

### Electrical quantities

|                |       |
|----------------|-------|
| Rated current: | 2.5 A |
| Rated voltage: | 250 V |

### Classification

|                  |      |
|------------------|------|
| Enclosure class: | IP21 |
|------------------|------|

### Packing

|          |               |
|----------|---------------|
| Package: | 1/10/100/1800 |
| Unit:    | PCS           |

### ETIM Data

© ABB 2024

Business ID 0763403-0

[www.installationmaterials.com](http://www.installationmaterials.com)

**Customer service**

puh. +358 10 222 1999

[contact.center@fi.abb.com](mailto:contact.center@fi.abb.com)

**ABB Exchange**

+358 10 22 11

# Product Card

Euro socket outlet, Impressivo, 3-gang, shuttered, screwless terminals, branching terminals, aluminum



|                                   |                              |
|-----------------------------------|------------------------------|
| Model:                            | EURO plug (CEE 7/16)         |
| Number of active pins (round):    | 2                            |
| With signal lamp:                 | No                           |
| Number of units:                  | 3                            |
| Number of phases:                 | 1                            |
| Imprint/indication:               | None                         |
| Connection type:                  | Push-in clamp                |
| With hinged lid:                  | No                           |
| With enhanced contact protection: | Yes                          |
| Label space/information surface:  | No                           |
| Colour:                           | Aluminium                    |
| RAL-number (similar):             | 9006                         |
| Metallic colour:                  | Yes                          |
| Transparent:                      | No                           |
| Lockable:                         | No                           |
| Eject-mechanism:                  | No                           |
| Insulated mounting:               | No                           |
| With function lighting:           | No                           |
| With orientation lighting:        | No                           |
| Over voltage protection:          | No                           |
| Fault current protection:         | No                           |
| With miniature fuse:              | No                           |
| Special power supply:             | No special power supply      |
| Mounting method:                  | Flush mounted (plaster)      |
| Type of fastening:                | Mounting with claw and screw |
| Material:                         | Plastic                      |
| Material quality:                 | Thermoplastic                |
| Halogen free:                     | Yes                          |
| Surface protection:               | Lacquered                    |
| Surface finishing:                | Matt                         |
| Anti-bacterial treatment:         | No                           |
| With loop through function:       | No                           |
| With on/off switch:               | No                           |
| Rotated central insert:           | No                           |

## Product Card

Euro socket outlet, Impressivo, 3-gang, shuttered, screwless terminals, branching terminals, aluminum



|  |       |
|--|-------|
| Nominal current:                         | 2.5 A |
| Nominal voltage:                         | 250 V |
| Frequency:                               | 50 Hz |
| Suitable for degree of protection (IP):  | IP21  |
| Device width:                            | 71 mm |
| Device height:                           | 35 mm |
| Device depth:                            | 71 mm |
| Min. depth of built-in installation box: | 23 mm |