

Product Card

Socket outlet, Impressivo, Schuko, 1-gang, screwless terminals, anthracite



Socket outlet

Socket outlet, Impressivo, Schuko, 1-gang, screwless terminals, anthracite

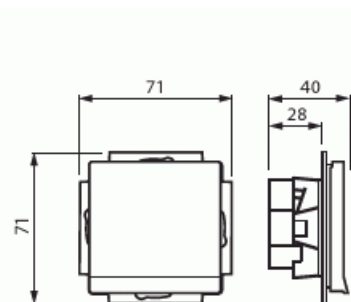
Type: 20EUCK-81

Product ID: 2TKA00000436

GTIN: 6438199001463



There are terminals for each contact of the socket outlet. No 2 X-terminals. The terminals are for max 2 rigid wires.



Technical specification

Electrical quantities

Rated current: 16 A

Classification

Enclosure class: IP20

Packing

Package: 1/10/100/1800

Unit: PCS

ETIM Data

Number of active pins (round): 2

Product Card

Socket outlet, Impressivo, Schuko, 1-gang, screwless terminals, anthracite



With signal lamp:	No
Number of units:	1
Number of phases:	1
Imprint/indication:	None
Connection type:	Push-in clamp
With hinged lid:	No
With enhanced contact protection:	Yes
Label space/information surface:	No
Colour:	Anthracite
RAL-number (similar):	7021
Metallic colour:	No
Transparent:	No
Lockable:	No
Eject-mechanism:	No
Insulated mounting:	No
With function lighting:	No
With orientation lighting:	No
Over voltage protection:	No
Fault current protection:	No
With miniature fuse:	No
Special power supply:	No special power supply
Mounting method:	Flush mounted (plaster)
Type of fastening:	Mounting with claw and screw
Material:	Plastic
Material quality:	Thermoplastic
Halogen free:	Yes
Surface protection:	Untreated
Surface finishing:	Glossy
Anti-bacterial treatment:	No
With loop through function:	No
With on/off switch:	No
Rotated central insert:	No
Nominal current:	16 A
Nominal voltage:	250 V

Product Card

Socket outlet, Impressivo, Schuko, 1-gang, screwless terminals, anthracite



Frequency:	50 Hz
Suitable for degree of protection (IP):	IP21
Device width:	71 mm
Device height:	45 mm
Device depth:	71 mm
Min. depth of built-in installation box:	28 mm