

Product Card

Socket outlet, Impressivo, Schuko, 1-gang, shuttered, screwless terminals, anthracite



Socket outlet

Socket outlet, Impressivo, Schuko, 1-gang, shuttered, screwless terminals, anthracite

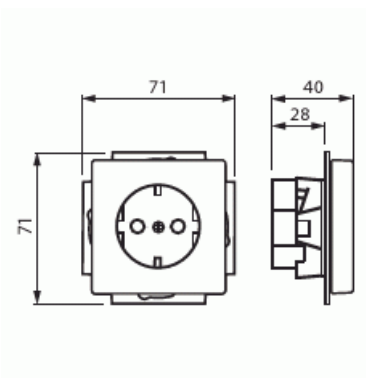
Type: 20EUC-81

Product ID: 2TKA00000434

GTIN: 6438199001449



There are terminals for each contact of the socket outlet. No 2 X-terminals. The terminals are for max 2 rigid wires.



Technical specification

Electrical quantities

Rated current: 16 A

Classification

Enclosure class: IP20

Packing

Package: 1/10/100/1800

Unit: PCS

ETIM Data

Number of active pins (round): 2

Product Card

Socket outlet, Impressivo, Schuko, 1-gang, shuttered, screwless terminals, anthracite



| | |
|-----------------------------------|------------------------------|
| With signal lamp: | No |
| Number of units: | 1 |
| Number of phases: | 1 |
| Imprint/indication: | None |
| Connection type: | Push-in clamp |
| With hinged lid: | No |
| With enhanced contact protection: | Yes |
| Label space/information surface: | No |
| Colour: | Anthracite |
| RAL-number (similar): | 7021 |
| Metallic colour: | No |
| Transparent: | No |
| Lockable: | No |
| Eject-mechanism: | No |
| Insulated mounting: | No |
| With function lighting: | No |
| With orientation lighting: | No |
| Over voltage protection: | No |
| Fault current protection: | No |
| With miniature fuse: | No |
| Special power supply: | No special power supply |
| Mounting method: | Flush mounted (plaster) |
| Type of fastening: | Mounting with claw and screw |
| Material: | Plastic |
| Material quality: | Thermoplastic |
| Halogen free: | Yes |
| Surface protection: | Untreated |
| Surface finishing: | Glossy |
| Anti-bacterial treatment: | No |
| With loop through function: | No |
| With on/off switch: | No |
| Rotated central insert: | No |
| Nominal current: | 16 A |
| Nominal voltage: | 250 V |

Product Card

Socket outlet, Impressivo, Schuko, 1-gang, shuttered, screwless terminals, anthracite



| | |
|--|-------|
| Frequency: | 50 Hz |
| Suitable for degree of protection (IP): | IP21 |
| Device width: | 71 mm |
| Device height: | 45 mm |
| Device depth: | 71 mm |
| Min. depth of built-in installation box: | 28 mm |