

## Product Card

Euro socket outlet, Impressivo, 3-gang, shuttered, screwless terminals, branching terminals, white



# Socket outlet

Euro socket outlet, Impressivo, 3-gang, shuttered, screwless terminals, branching terminals, white



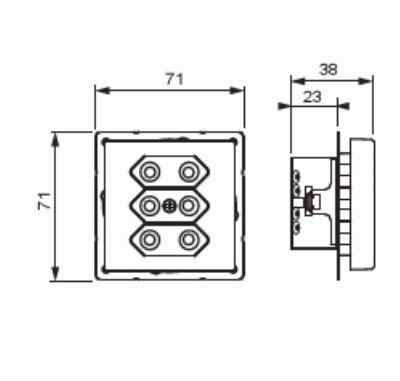
**Type:** 303UC-84

**Product ID:** 2TKA00000433

**GTIN:** 6438199001593



3-gang Euro socket outlet with center plate. There are terminals for each contact of the socket outlet for max 4 rigid wires and 2 X-terminals for 2-rigid wires. The socket outlet insert without the cover plate is screen-protected.



## Technical specification

### Electrical quantities

Rated current:	2.5 AX
Rated voltage:	250 V

### Classification

Enclosure class:	IP21
------------------	------

### Packing

Package:	1/10/100/1800
Unit:	PCS

### ETIM Data

© ABB 2024

Business ID 0763403-0

[www.installationmaterials.com](http://www.installationmaterials.com)

**Customer service**

puh. +358 10 222 1999

[contact.center@fi.abb.com](mailto:contact.center@fi.abb.com)

**ABB Exchange**

+358 10 22 11

# Product Card

Euro socket outlet, Impressivo, 3-gang, shuttered, screwless terminals, branching terminals, white



Model:	EURO plug (CEE 7/16)
Number of active pins (round):	2
With signal lamp:	No
Number of units:	3
Number of phases:	1
Imprint/indication:	None
Connection type:	Push-in clamp
With hinged lid:	No
With enhanced contact protection:	Yes
Label space/information surface:	No
Colour:	White
RAL-number (similar):	9016
Metallic colour:	No
Transparent:	No
Lockable:	No
Eject-mechanism:	No
Insulated mounting:	No
With function lighting:	No
With orientation lighting:	No
Over voltage protection:	No
Fault current protection:	No
With miniature fuse:	No
Special power supply:	No special power supply
Mounting method:	Flush mounted (plaster)
Type of fastening:	Mounting with claw and screw
Material:	Plastic
Material quality:	Thermoplastic
Halogen free:	Yes
Surface protection:	Untreated
Surface finishing:	Glossy
Anti-bacterial treatment:	No
With loop through function:	No
With on/off switch:	No
Rotated central insert:	No

## Product Card

Euro socket outlet, Impressivo, 3-gang, shuttered, screwless terminals, branching terminals, white



Nominal current:	2.5 A
Nominal voltage:	250 V
Frequency:	50 Hz
Suitable for degree of protection (IP):	IP21
Device width:	71 mm
Device height:	35 mm
Device depth:	71 mm
Min. depth of built-in installation box:	23 mm