

## Product Card

1-gang 2-way push switch, 16A/250V, Impressivo, 1N terminal, white



# Push switch

1-gang 2-way push switch, 16A/250V, Impressivo, 1N terminal, white

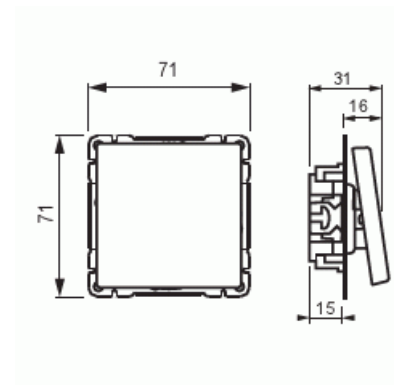
**Type:** 1466UC-84

**Product ID:** 2TKA00000430

**GTIN:** 6438199001425



Push switch with screwless terminals. The terminals are for max 2 rigid wires. Including switch insert and rocker.



## Technical specification

### Electrical quantities

Nominal voltage: 250 V

### Classification

Suitable for degree of protection (IP): IP21

### Packing

Package: 1/10/100/1800

Unit: PCS

### ETIM Data

Assembly arrangement: Basic element with central cover plate

© ABB 2024

Business ID 0763403-0

[www.installationmaterials.com](http://www.installationmaterials.com)

Customer service

puh. +358 10 222 1999

[contact.center@fi.abb.com](mailto:contact.center@fi.abb.com)

ABB Exchange

+358 10 22 11

# Product Card

1-gang 2-way push switch, 16A/250V, Impressivo, 1N terminal, white



Model:	Single push button
Method of operation:	Push button
Number of contacts as normally open contact:	2
Contactless type:	No
Number of rockers:	1
Number of poles:	1
Rated current:	16 A
With lighting:	No
With signal lamp:	No
Feedback-signal contact:	No
Connection type:	Push-in clamp
Mounting method:	Flush mounted (plaster)
Type of fastening:	Screw mounting
Material:	Plastic
Material quality:	Thermoplastic
Halogen free:	Yes
Anti-bacterial treatment:	No
Surface protection:	Untreated
Colour:	White
RAL-number (similar):	9016
Transparent:	No
Label space/information surface:	No
Impact strength:	IK00
Device width:	70 mm
Device height:	40 mm
Device depth:	70 mm
Min. depth of built-in installation box:	15 mm
Compatible with Apple HomeKit:	No
Compatible with Google Assistant:	No
Compatible with Amazon Alexa:	No
IFTTT support available:	No