

## Product Card

3-gang 1-way switch, 16AX/250V, Impressivo, no X-terminals, white



# Switch

3-gang 1-way switch, 16AX/250V, Impressivo, no X-terminals, white

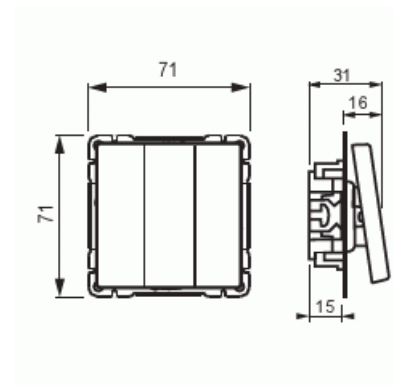
**Type:** 10631UC-84

**Product ID:** 2TKA00000410

**GTIN:** 6438199001210



Switch with screwless terminals. The terminals are for max 2 rigid wires. Including switch insert and rocker.



## Technical specification

### Electrical quantities

Rated current:	16 AX
Rated voltage:	250 V

### Classification

Enclosure class:	IP21
------------------	------

### Packing

Package:	1/10/100/1800
Unit:	PCS

### ETIM Data

© ABB 2024

Business ID 0763403-0

[www.installationmaterials.com](http://www.installationmaterials.com)

Customer service

puh. +358 10 222 1999

[contact.center@fi.abb.com](mailto:contact.center@fi.abb.com)

ABB Exchange

+358 10 22 11

# Product Card

3-gang 1-way switch, 16AX/250V, Impressivo, no X-terminals, white



Wiring system:	Series switch
Method of operation:	Rocker/button
Assembly arrangement:	Basic element with central cover plate
Push button switch:	No
Number of rockers:	1
Mounting method:	Flush mounted (plaster)
Type of fastening:	Screw mounting
With mounting plate:	No
Material:	Plastic
Material quality:	Thermoplastic
Halogen free:	Yes
Anti-bacterial treatment:	No
Surface protection:	Untreated
Surface finishing:	Glossy
Colour:	White
RAL-number (similar):	9003
Label space/information surface:	No
Illumination:	No
Suitable for degree of protection (IP):	IP21
Nominal voltage:	250 V
Rated current:	16 A
Switching current for fluorescent lamps:	16 AX
Feedback-signal contact:	No
Connection type:	Push-in clamp
Washing machine switch:	No
Device width:	70 mm
Device height:	35 mm
Device depth:	85 mm
Built-in depth:	17 mm
Min. depth of built-in installation box:	17 mm