

Watchdog

Watchdog 220 MasterLINE, white

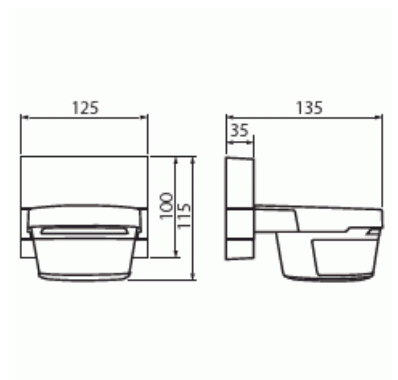
Type: 6847/11AGM-204-500

Product ID: 2CKA006800A2524

GTIN: 4011395150559



Electronic movement detector for detecting thermal motion.
Remote operation via IR remote control 6841-101.
Remote configurable via IR service remote control 6842-101.
With display for detection and operation mode.
With ground and rear-field detection.
With high-quality lens for optimum detection.
Detection sensitivity adjustable via IR remote control.
Surveillance density: 84 sectors with 336 switching segments.
With integrated dismantling protection.
All functions controlled by microprocessor.
Continuous light (4 hours), light deactivation (4 hours) and presence simulation can be activated via IR remote control.
Reading in the current brightness value as switching threshold via remote control.
With automatic range stabilization.
With automatic interference suppression.
With automatic dazzle-proofing.
With brightness-independent test mode for evaluating the detection zone.
Individual adjustment of detection range via enclosed protective foil which can be cut to size.
Additional possibility for switch-on via normally open push-button switch.
Switch-off delay: 10 sec to 30 min or short-time pulse 1 sec adjustable.
Rated voltage: 230 V~, +10% / -10%
Rated frequency: 50 Hz - 60 Hz
Power dissipation: 1 W
Outputs: 1 Normally open contact, potential-bound
Suitable for: ohmic, capacitive and inductive loads
Rated current: 16 AX, cos ϕ 0.6



Product Card

Watchdog 220 MasterLINE, white



Rated power: 3680 W/VA
Protection class (Device): IP 55
Temperature range (Device): -25 °C - 55 °C
Detection range: frontal: 16 m lateral: 16 m
Brightness limit value: 0.5 Lux - 300 Lux - , Daytime operation
Detection angle: 220 °
Dimensions: (L x W x D): 115 mm x 125 mm x 141 mm
Mounting height: - 2.5 m
In combination with a relay/contactors, an RC suppressor 6899 has to be used.

Technical specification

Electrical quantities

Rated voltage:	230 V
Power ratio (cos φ):	0.6
Switching current:	≤ 16 AX

Classification

Enclosure class:	IP55
------------------	------

Dimensions

Dimensions:	115x125x141 mm
Weight:	550 g

Thermal conditions

Operating temperature:	-25 ... 55 °C
------------------------	---------------

Colors

Colour:	White
---------	-------

Product Card

Watchdog 220 MasterLINE, white



Electronics

Operating frequency:	50 ... 60 Hz
Detection area:	220°, eteen 16 m, sivuille 16 m
Switching time:	10 s-30 min

Packing

Package:	1/10
Unit:	PCS

ETIM Data

Model:	Movement sensor
Sensor type:	Passive infrared
With DALI interface:	No
Constant light control:	No
HVAC-control:	No
Forced switch on:	Yes
Forced switch off:	Yes
Animal zone:	No
Creep-under protection:	Yes
Networkable:	No
Optimum mounting height:	2.5 m
Staircase monitoring:	Yes
Bridging switch:	No
Max. transmission range sideways:	16 m
Max. transmission range frontally:	16 m
Diameter detection range on floor:	32 m
Suitable for wireless transmission:	No
Remote operation:	Yes
With remote control:	No
Response value sensitivity adjustable:	Yes
Response value luminosity adjustable:	Yes
With signal unit:	No
Teach-function for response value luminosity:	No

Product Card

Watchdog 220 MasterLINE, white



Dim function with dimmer basic element:	No
Mounting method:	Surface mounted (plaster)
Suitable for ceiling mounting:	No
Suitable for wall mounting:	Yes
Material quality:	Thermoplastic
Halogen free:	Yes
Surface protection:	Untreated
Surface finishing:	Matt
Anti-bacterial treatment:	No
Colour:	White
RAL-number (similar):	9010
Transparent:	No
Degree of protection (IP):	IP55
Frequency:	50...60 Hz
Nominal voltage:	230 V
Min. switch-on time:	10 s
Max. duty cycle:	30 min
Detection angle horizontal:	8...220 °
Pivoting range sensor, horizontal:	-30...30 °
Pivoting range sensor, vertical:	-10...10 °
Response value luminosity:	0...1000 lx
Max. switching power:	3680 W
Temperature:	-25...55
Number of switching zones:	1
Substation input:	No
With alarm function:	No
Width:	115 mm
Height:	125 mm
Depth:	141 mm
Compatible with Apple HomeKit:	No
Compatible with Google Assistant:	No
Compatible with Amazon Alexa:	No
IFTTT support available:	No

Product Card

Watchdog 220 MasterLINE, white



—
© ABB 2024

Business ID 0763403-0

www.installationmaterials.com

—
Customer service

puh. +358 10 222 1999

contact.center@fi.abb.com

—
ABB Exchange

+358 10 22 11