

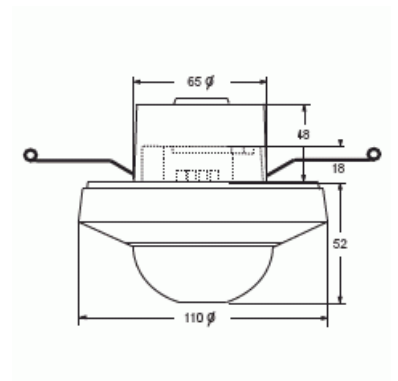
BasicLINE hallway

BasicLINE hallway, white

Type: 6818U-500

Product ID: 2CKA006800A2519

GTIN: 4011395148051



Technical specification

Electrical quantities

Rated frequency: 50 Hz

Classification

Enclosure class: IP40

Dimensions

Dimensions: 110x110x70 mm

Electronics

Detection area: 360 °

Packing

Package:	1/18
Unit:	PCS

ETIM Data

ETIM Version:	ETIM-9.0
ETIM Class:	EC000133
Model:	Presence detector
Sensor type:	Passive infrared
With DALI interface:	No
Constant light control:	No
HVAC-control:	No
Forced switch on:	Yes
Forced switch off:	Yes
Animal zone:	No
Creep-under protection:	Yes
Networkable:	No
Optimum mounting height:	2 m
Staircase monitoring:	Yes
Bridging switch:	No
Suitable for wireless transmission:	No
Remote operation:	Yes
With remote control:	No
Response value sensitivity adjustable:	No
Response value luminosity adjustable:	Yes
With signal unit:	No
Teach-function for response value luminosity:	No
Dim function with dimmer basic element:	No
Mounting method:	Flush mounted (plaster)
Suitable for ceiling mounting:	Yes
Suitable for wall mounting:	No
Material:	Plastic
Material quality:	Thermoplastic

Product Card

BasicLINE hallway, white



Halogen free:	Yes
Surface protection:	Untreated
Surface finishing:	Matt
Anti-bacterial treatment:	No
Colour:	White
RAL-number (similar):	9010
Transparent:	No
Degree of protection (IP):	IP40
Voltage type:	AC
Frequency:	50...60 Hz
Nominal voltage:	230 V
Min. switch-on time:	10 s
Max. duty cycle:	30 min
Detection angle horizontal:	30...360 °
Response value luminosity:	10...2000 lx
Substation input:	Yes
With alarm function:	No
Width:	110 mm
Height:	110 mm
Depth:	100 mm
Built-in depth:	48 mm
Built-in diameter:	65 mm
Min. depth of built-in installation box:	48 mm
Compatible with Apple HomeKit:	No
Compatible with Google Assistant:	No
Compatible with Amazon Alexa:	No
IFTTT support available:	No