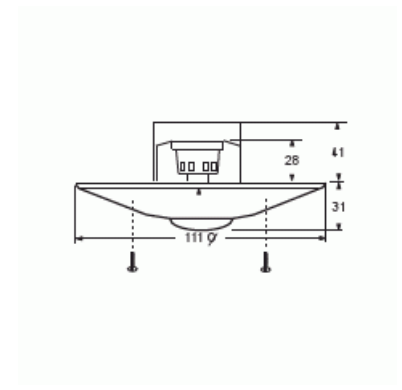

BasicLINE standard

BasicLINE standard, white

Type: 6814U

Product ID: 2CKA006800A2518

GTIN: 4011395148044



Technical specification

Classification

Enclosure class:	IP40
------------------	------

Dimensions

Dimensions:	111x111x59 mm
-------------	---------------

Thermal conditions

Operating temperature:	0 ... 45 °C
------------------------	-------------

Electronics

Detection area:	360°
-----------------	------

Product Card

BasicLINE standard, white



Packing

Package:	1/24
Unit:	PCS

ETIM Data

ETIM Version:	ETIM-9.0
ETIM Class:	EC000133
Model:	Presence detector
Sensor type:	Passive infrared
With DALI interface:	No
Constant light control:	No
HVAC-control:	No
Forced switch on:	No
Forced switch off:	No
Animal zone:	No
Creep-under protection:	Yes
Networkable:	No
Optimum mounting height:	2 m
Staircase monitoring:	Yes
Bridging switch:	No
Suitable for wireless transmission:	No
Remote operation:	No
With remote control:	No
Response value sensitivity adjustable:	No
Response value luminosity adjustable:	Yes
With signal unit:	No
Teach-function for response value luminosity:	No
Dim function with dimmer basic element:	No
Mounting method:	Flush mounted (plaster)
Suitable for ceiling mounting:	Yes
Suitable for wall mounting:	No
Material:	Plastic
Material quality:	Thermoplastic

Product Card

BasicLINE standard, white



Halogen free:	Yes
Surface protection:	Untreated
Surface finishing:	Matt
Anti-bacterial treatment:	No
Colour:	White
RAL-number (similar):	9010
Transparent:	No
Degree of protection (IP):	IP40
Voltage type:	AC
Frequency:	50...60 Hz
Nominal voltage:	230 V
Min. switch-on time:	5 s
Max. duty cycle:	30 min
Detection angle horizontal:	30...360 °
Response value luminosity:	10...2000 lx
Substation input:	Yes
With alarm function:	No
Width:	135 mm
Height:	30 mm
Depth:	25 mm
Built-in depth:	41 mm
Built-in diameter:	65 mm
Min. depth of built-in installation box:	41 mm
Compatible with Apple HomeKit:	No
Compatible with Google Assistant:	No
Compatible with Amazon Alexa:	No
IFTTT support available:	No